

2010 G+SB



2010 G+E



2010 G+E



2010 G+E



2010 G

Firmamızın ölçülerde değişiklik yapma hakkı saklıdır.
Diğer ölçüler ve malzeme çeşitleri için üreticiye başvurunuz.
Parça No: 37-134

REV:N

06.05.2015

Parça ve Malzeme Listesi

Ø 150-3000

P.NO	PARÇA ADI	MALZEME CİNSİ
1	Gövde	GGG 40-50
1A	Gövde Siti	Paslanmaz Çelik Kaynaklı
2	Klepe	GGG 40-50
3	Klepe Siti	EPDM
4	Baskı Çemberi	St-37,AISI 304, AISI 316
5	Civata	A2
6	Ön - Ark Burç	Bronz
7	O-ring	EPDM
8	O-ring	EPDM
9	Ön Mil	1.4021, 1.4057
10	Pim	1.4021, 1.4057
11	Arka Mil	1.4021, 1.4057

P.NO	PARÇA ADI	MALZEME CİNSİ
12	Ön Kapak	St 37, GGG 40
13	Setskur	8.8
14	Civata	8.8
15	Arka Kapak	St 37, GGG 40
16	Taşıma Halkası	A 105
17	Kama	C 45 K
18	O-ring	EPDM
19	Segman	A2
20	O-ring	EPDM
21	Pul	A2
22	Civata	A2



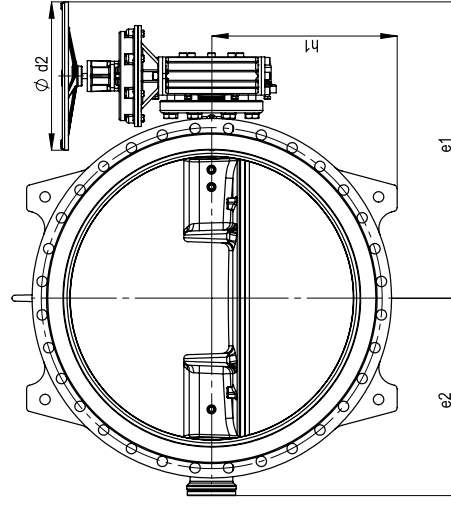
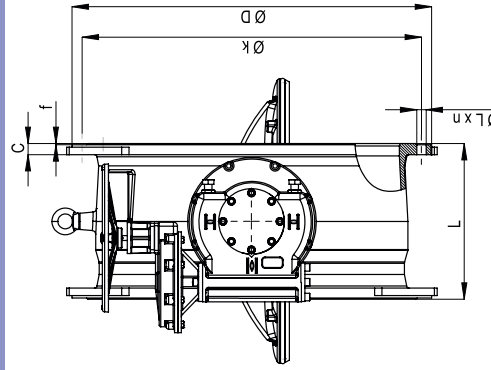
2010 ÇİFT FLANŞLI KELEBEK VANA

2010 çift flanşlı kelebek vana çift eksantrik (kaçık eksenli) dizayna sahiptir. Baskı çemberi ile klepeye tutturulan elastomer siti sayesinde tam sızdırmazlık sağlar. Kumanda şekilleri genel olarak volanlı/ dişli kutulu, elektrik aktuatörlü, pnömatik aktuatörlü veya hidrolik aktuatörlü olabilir.

Asteknik Vana Tipi	: 2010
Vana tipi	: Çift flanşlı kelebek vana
DN/ANSI	: DN 150 - DN 3000 6" - 120"
Çalışma Basıncı	: PN 10, PN 16, PN 25, PN 40
Flanş Bağlantısı	: PN 10, PN 16, PN 25, PN 40
Kafa Flanşı	: ISO 5211
Etiketleme	: EN 19
Normu	: EN 558-1/14
Test Standardı	: EN 12266-1

Diğer ölçü ve basınç sınıfları için firmamızı arayınız.

Çift flanşlı kelebek vana ölçü listesi



PN 10											PN 16																
DN	PN	Ø D	L	S14	e1	e2	d2	h1	f	C	Ø k x n x Ø L	Ağırlık	kg	DN	PN	Ø D	L	S14	e1	e2	d2	h1	f	C	Ø k x n x Ø L	Ağırlık	kg
150	10	285	210	345	142	175	260	160	3	19	Ø 240 x 8 x Ø 23	37,0	37,0	150	16	285	210	345	142	175	260	160	3	19	Ø 240 x 8 x Ø 23	37,0	37,0
200	10	340	230	388	175	201	260	190	3	20	Ø 295 x 12 x Ø 23	60,0	60,0	200	16	340	230	388	175	201	260	190	3	20	Ø 295 x 12 x Ø 23	60,0	60,0
250	10	395	250	406	201	235	260	220	3	22	Ø 350 x 12 x Ø 23	74,5	74,5	250	16	405	250	406	201	235	260	220	3	22	Ø 355 x 12 x Ø 28	74,5	74,5
300	10	445	270	448	235	260	250	250	4	24,5	Ø 400 x 12 x Ø 23	90,0	90,0	300	16	460	270	448	235	260	250	4	24,5	Ø 410 x 12 x Ø 28	90,0	90,0	
350	10	505	290	567	260	400	280	4	24,5	Ø 460 x 16 x Ø 23	155,0	155,0	350	16	520	290	567	260	400	280	4	26,5	Ø 470 x 16 x Ø 28	155,0	155,0		
400	10	565	310	600	302	400	310	4	24,5	Ø 515 x 16 x Ø 28	165,0	165,0	400	16	580	310	600	302	400	310	4	28	Ø 525 x 16 x Ø 31	184,0	184,0		
450	10	615	330	610	330	400	330	4	25,5	Ø 565 x 20 x Ø 28	261,0	261,0	450	16	640	330	610	330	400	330	4	30	Ø 585 x 20 x Ø 31	296,0	296,0		
500	10	670	350	665	372	400	360	4	26,5	Ø 620 x 20 x Ø 28	237,0	237,0	500	16	715	350	665	372	400	360	4	31,5	Ø 650 x 20 x Ø 34	280,0	280,0		
600	10	780	390	735	425	400	440	5	30	Ø 725 x 20 x Ø 31	345,0	345,0	600	16	840	390	735	425	400	440	5	36	Ø 770 x 20 x Ø 37	383,0	383,0		
700	10	895	430	872	458	600	465	5	32,5	Ø 840 x 24 x Ø 31	546,0	546,0	700	16	910	430	872	458	600	465	5	39,5	Ø 840 x 24 x Ø 37	560,0	560,0		
800	10	1015	470	954	520	600	540	5	35	Ø 950 x 24 x Ø 34	690,0	690,0	800	16	1025	470	954	520	600	540	5	43	Ø 950 x 24 x Ø 41	700,0	700,0		
900	10	1115	510	1004	600	600	600	570	5	37,5	Ø 1050 x 28 x Ø 37	1040,0	1040,0	900	16	1125	510	1004	600	600	570	5	46,5	Ø 1050 x 28 x Ø 41	1056,0	1056,0	
1000	10	1230	550	1024	625	600	676	5	40	Ø 1160 x 28 x Ø 37	1522,0	1522,0	1000	16	1255	550	1024	625	600	676	5	50	Ø 1170 x 28 x Ø 44	1550,0	1550,0		
1100	10	1340	550	1157	765	600	680	5	42,5	Ø 1270 x 32 x Ø 37	1794,0	1794,0	1100	16	1355	550	1157	765	600	680	5	53,5	Ø 1270 x 32 x Ø 44	1920,0	1920,0		
1200	10	1455	630	1250	800	600	735	5	45	Ø 1380 x 32 x Ø 41	2171,0	2171,0	1200	16	1485	630	1250	800	600	735	5	57	Ø 1390 x 32 x Ø 50	2255,0	2255,0		
1300	10	1585	630	1332	881	600	810	5	59	Ø 1490 x 32 x Ø 42	2550,0	2550,0	1300	16	1585	630	1332	881	600	810	5	59	Ø 1490 x 32 x Ø 50	2550,0	2550,0		
1400	10	1675	710	1362	910	600	878	5	46	Ø 1590 x 36 x Ø 44	3222,0	3222,0	1400	16	1685	710	1362	910	600	878	5	60	Ø 1590 x 36 x Ø 50	3290,0	3290,0		
1500	10	1785	710	1364	937	600	900	5	47	Ø 1700 x 36 x 44	3450,0	3450,0	1500	16	1820	710	1485	1060	600	940	5	62,5	Ø 1710 x 36 x Ø 57	3530,0	3530,0		
1600	10	1915	790	1510	1075	600	976	5	49	Ø 1820 x 40 x Ø 50	3740,0	3740,0	1600	16	1930	790	1510	1075	600	976	5	65	Ø 1820 x 40 x Ø 57	4360,0	4360,0		
1700	10	2020	790	1510	1075	600	1030	5	52	Ø 1920 x 40 x Ø 50	4275,0	4275,0	1700	16	2020	790	1510	1075	600	1030	5	65	Ø 1820 x 40 x Ø 57	4360,0	4360,0		
1800	10	2115	870	1370	1260	600	1058	5	52	Ø 2020 x 44 x Ø 50	4821,0	4821,0	1800	16	2130	870	1370	1260	600	1058	5	70	Ø 2020 x 44 x Ø 57	4942,5	4942,5		
2000	10	2325	950	1780	1385	600	1200	5	55	Ø 2230 x 48 x Ø 50	7500,0	7500,0	2000	16	2345	950	1835	1414	600	1200	5	75	Ø 2230 x 48 x Ø 62	7850,0	7850,0		
2200	10	2555	950	1920	1560	600	1310	5	58	Ø 2440 x 52 x Ø 57	9925,0	9925,0	2200	16	2555	950	1920	1560	600	1310	5	80	Ø 2440 x 52 x Ø 62	12000,0	12000,0		
2400	10	2760	950	1920	1481	-	1379	6	65	Ø 2650 x 56 x Ø 56	13300,0	13300,0	2400	16	2770	950	2750	1875	-	1400	6	80	Ø 2660 x 56 x Ø 62	15500,0	15500,0		
2500	10	2860	950	2018	1575	-	1444	6	65	Ø 2750 x 56 x Ø 56	14000,0	14000,0	2500	16	2880	950	2780	1575	-	1460	6	85	Ø 2760 x 56 x Ø 62	18000,0	18000,0		
2600	10	2960	950	2150	1630	-	1550	6	70	Ø 2850 x 60 x Ø 56	16000,0	16000,0	2600	16	3000	950	2845	1630	-	1536	6	90	Ø 2890 x 56 x Ø 70	19500,0	19500,0		
2800	10	3180	950	2250	1808	-	1600	6	70	Ø 3070 x 64 x Ø 56	20000,0	20000,0	2800	16	3240	950	2870	1848	-	1580	6	95	Ø 3130 x 64 x Ø 70	23500,0	23500,0		
3000	10	3405	950	-	1855	-	1810	8	75	Ø 3290 x 68 x Ø 62	25000,0	25000,0	3000	16	-	950	2870	1848	-	1855	8	-	-	-	-	29000,0	29000,0