

Subject to change without notice,  
Please contact us for other sizes.  
Parça No: 37-862

REV: B

06.11.2014

### Part List & Material Specification

#### DN 125-1200

P.NO	PART NAME	MATERIAL
1	Body	GGG 50
1A	Body Seat	Stainless Steel With Welding
2	Disc	GGG 50
3	Seat	EPDM
4	Retaining Ring	St 37
5	Bolt	A2
6	Setscrew	A2
7	Shaft	1.4021
8	O-ring	EPDM
9	Fixing Ring	1.4021
10	Bolt	A2

P.NO	PART NAME	MATERIAL
11	Setscrew	A2
12	Front Difuzor	GGG 50
13	Front Bushing	Bronze
14	Setscrew	A2
15	Gasket	EPDM ACS
16	Bolt	A2
17	Back Difuzor	GGG 50
18	Back Bushing	Bronze
19	Spring	Stainless Steel
20	Spring Bushing	Bronze
21	Eye Bolt	A 105



## 4600 SILENT CHECK VALVE

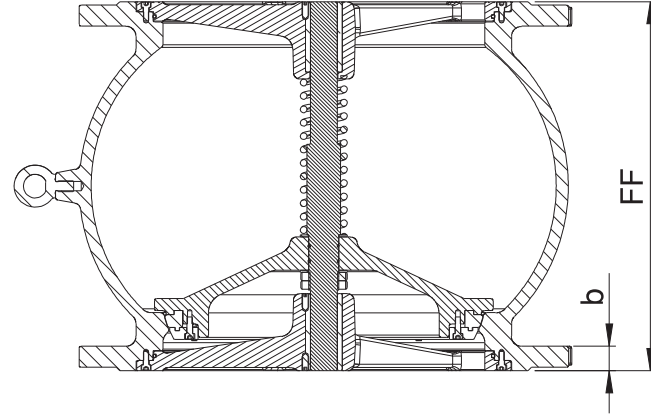
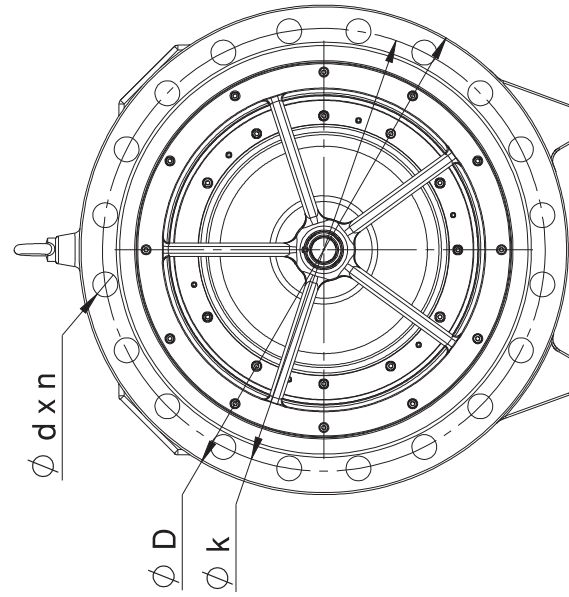
Type 4600 is a double flanged check valve with quick closing system which prevents water hammers.

**Asteknik Valve Type** : 4600  
**Valve Type** : Double Flanged Check Valve  
**DN/NPS** : DN 125 - DN 1200 (14" - 48")  
**Working Pressure** : PN 10, PN 16, PN 25, PN 40  
**Flange Connection** : PN 10, PN 16, PN 25, PN 40  
**Top Flange** : ISO 5211  
**Marking** : EN 19  
**Face-to-Face** : EN 558-1/8  
**Test Standard** : EN 12266-1

Please contact us for other sizes, pressures and flange connections.


**4600**

## Silent Check Valve Dimensional Drawing



DN 125-1200

DN	PN 10				PN 16				BODY			
	b	ØD	Øk	n	b	ØD	Ød	Øk	n	Øk	n	F-F
125	19	250	210	8	19	250	19	210	8	210	8	200
150	19	285	240	8	19	285	23	240	8	240	8	225
200	20	340	295	8	20	340	23	295	12	295	12	275
250	22	395	350	12	22	405	28	355	12	355	12	325
300	24,5	445	400	12	24,5	460	28	410	12	410	12	375
350	24,5	505	460	16	26,5	520	28	470	16	470	16	425
400	24,5	565	515	16	28	580	31	525	16	525	16	475
450	25,5	615	565	20	30	640	31	585	20	585	20	500
500	26,5	670	620	20	31,5	715	34	650	20	650	20	550
600	30	780	725	20	36	840	37	770	20	770	20	600
700	32,5	895	840	24	39,5	910	37	840	24	840	24	650
800	35	1015	950	24	43	1025	40	950	24	950	24	700
900	37,5	1115	1050	28	46,5	1125	40	1050	28	1050	28	800
1000	40	1230	1160	28	50	1255	44	1170	28	1170	28	900
1200	45	1455	1380	32	57	1485	60	1390	32	1390	32	900

Subject to change without notice.  
Please contact us for other sizes.  
Part No. 37 - 107

www.asteknikvana.com

elmak@asteknikvana.com

REV/A

15.12.2012