

Subject to change without notice,  
Please contact us for other sizes and materials.  
Parça No: 37 - 721

REV:D

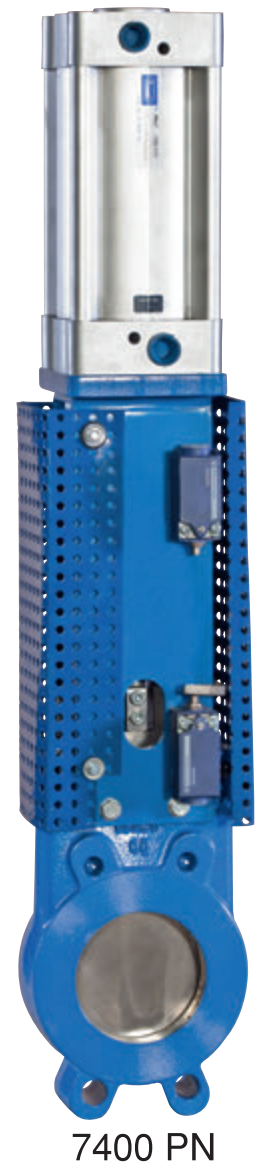
03.11.2015

### Part List & Material Specification

Ø 50 - 800

P.NO	PART NAME	MATERIAL
1	Body	GG25, GGG 40-50, AISI 304,AISI 316
2	Seat	EPDM
3	Retainig Ring	AISI 304, AISI 316
4	Knife	AISI 304, AISI 316
5	Gland Seat	EPDM
6	Packing	Graphite, PTFE
7	Gland	GG25, GGG 40-50, AISI 304,AISI 316
8	Setscrew	8.8, A2
9	Washer	St 37, A2
10	Nut	6.8, A2
11	Move Screw	AISI 304, AISI 316, AISI 420

P.NO	PART NAME	MATERIAL
12	Bolt	8.8, A2
13	Washer	St 37, A2
14	Nut	6.8, A2
15	Spindle nut	Bronze
16	Mid Piece	Polyamid
17	Bridge	St 37, AISI 304, AISI 316
18	Washer	St 37, A2
19	Bolt	8.8, A2
20	Washer	Bronze
21	Handwheel	GG25, GGG 40-50
22	Protection Pipe	St 37





## 7400 KNIFE GATE VALVE

Type 7400 is good choice to be used for fibrous fluids such as paper industry and waste lines. Tightness is supplied with the elastomer (EPDM, NBR, NR) seal. Actuation types are with gear box, handwheel, chainwheel and pneumatic or electrical. It has rising and non-rising stem alternatives.

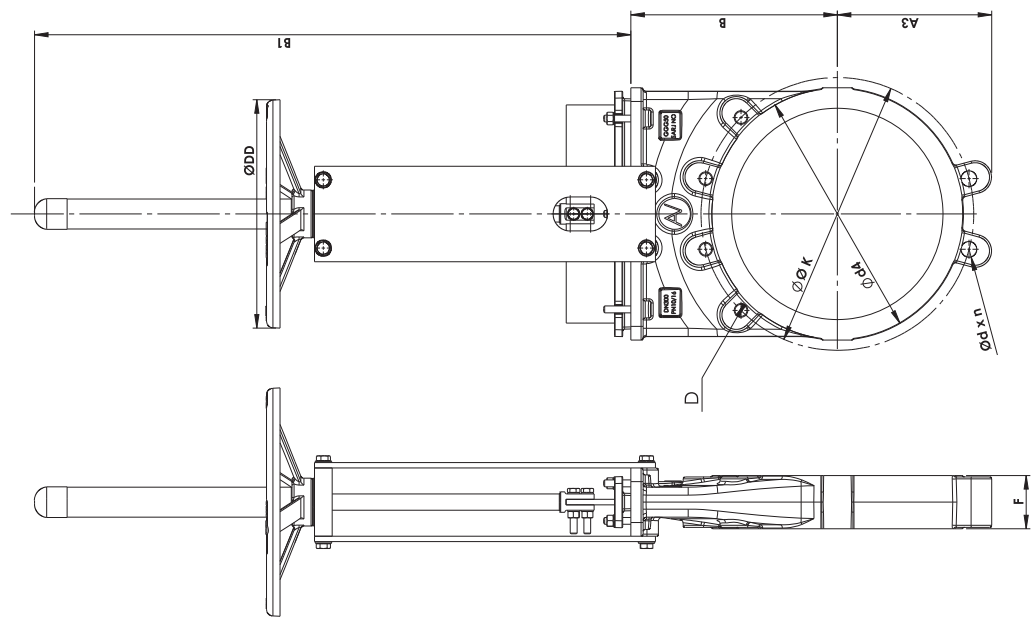
**Asteknik Valve Type** : 7400  
**Valve Type** : Knife gate valve  
**DN/NPS** : DN 50 - DN 800 2" - 32"  
**Flange Connection** : PN 10, PN 16  
**Working Pressure** : 4 - 6 bars  
**Face-to-Face** : EN 558-1/20  
**Test Standard** : EN 12266-1

Please contact us for other sizes, pressures and flange connections.



### Knife gate valve dimensional drawing

Ø 50 - 800



DN	A3	B	B1	Ø DD	Ø d4	F	PN 10			PN 16		
							Ø k	D	n	Ø k	D	n
50	60	110	255	235	104	43	125	M 16	4	125	M 16	4
65	70	120	300	235	118	46	145	M 16	4	145	M 16	4
80	94	130	320	235	132	50	160	M 16	8	160	M 16	8
100	103	140	400	235	156	52	180	M 16	8	180	M 16	8
125	117	160	423	235	184	56	210	M 16	8	210	M 16	8
150	133	195	473	235	211	56	240	M 20	8	240	M 20	8
200	165	230	626	310	268	60	295	M 20	8	295	M 20	12
250	196	265	713	310	319	68	350	M 20	12	355	M 24	12
300	226	300	835	310	370	78	400	M 20	12	410	M 24	12
350	260	350	930	310	429	78	460	M 20	16	470	M 24	16
400	285	420	1080	400	482	102	515	M 24	16	525	M 27	16
500	359	495	1296	600	582	127	620	M 24	20	650	M 30	20
600	422	595	1500	600	682	154	725	M 27	20	770	M 33	20
700	452	750	1630	600	790	165	840	M 27	24	840	M 33	24
800	530	920	1882	600	900	190	950	M 30	24	950	M 36	24