

Subject to change without notice,
Please contact us for other sizes and materials.

REV : E

01.10.2015

Part List & Material Specification

Ø 50 - 1200

P.NO	PART NAME	MATERIAL
1	Sledge body	GGG 40-50 - AISI 304 - AISI 316
2	Seat	EPDM - NBR
3	Knife	AISI 304 - AISI 316
4	Gland seat	EPDM - NBR
5	Cover body	GGG 40-50 - AISI 304 - AISI 316
6	Bolt	8.8 - A-2
7	Gland delrin	DELIRIN - PE
8	Gland	GGG 50
9	Stud	8.8 - A-2
10	Washer	St 37 - A-2
11	Nut	6.8 - A-2

P.NO	PART NAME	MATERIAL
12	Move screw	AISI 420
13	Pin	AISI 420
14	Split pin	Spring Steel
15	Spindle nut	Bronze
16	Bridge	St 37
17	Washer	St 37 - A-2
18	Bolt	8.8 - A-2
19	Washer	Bronze
20	Key	C 45 K
21	Handwheel	St 37
22	Nut	C 1050





7300 KNIFE GATE VALVE

Type 7300 is good choice to be used for fibrous fluids such as paper industry and waste lines. Tightness is supplied with the elastomer (EPDM, NBR, NR) seal. Actuation types are with gear box, handwheel, chainwheel and pneumatic or electrical. It has rising and non-rising stem alternatives.

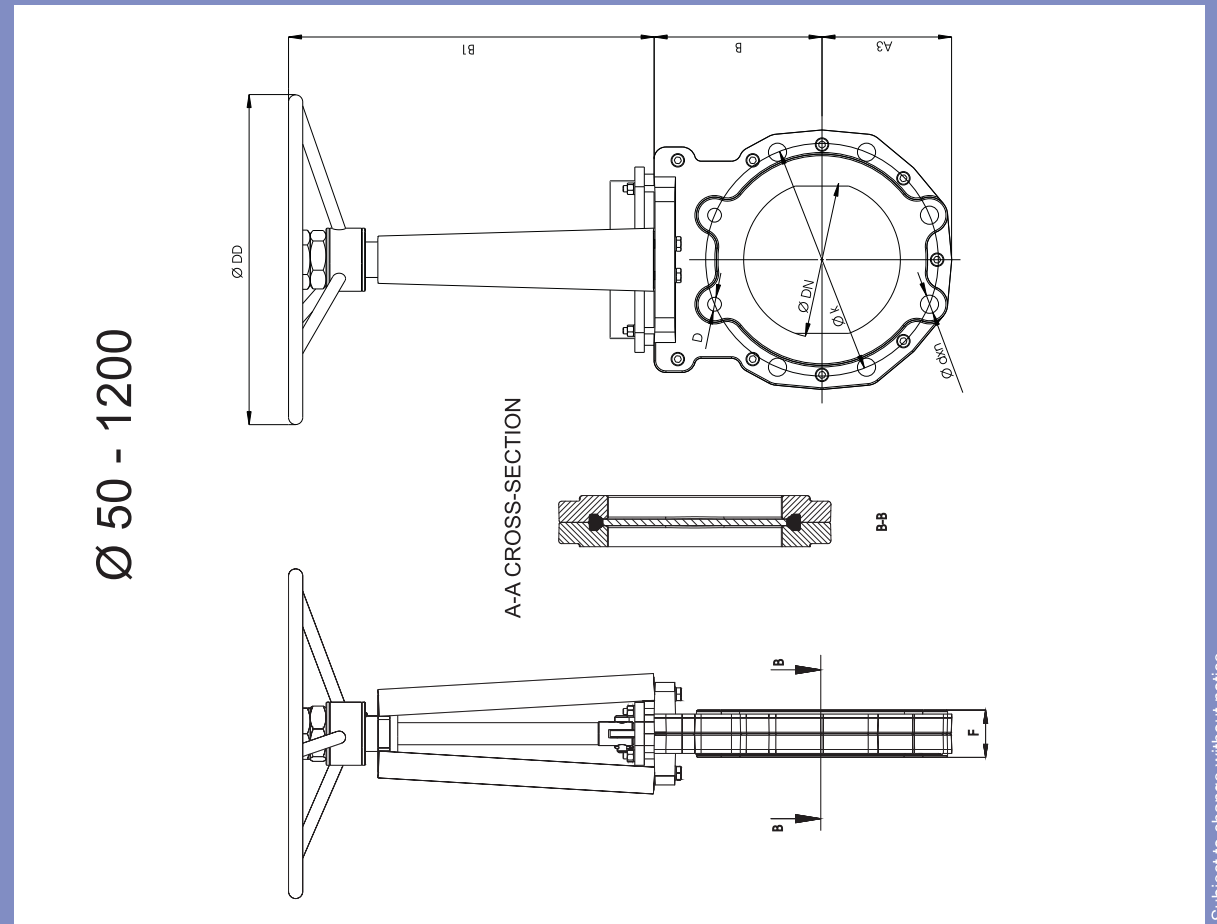
Asteknik Valve Type : 7300
Valve Type : Knife gate valve
DN/NPS : DN 50 - DN 1200 2" - 48"
Flange Connection : PN 10, PN 16
Working Pressure : 4 - 6 bars
Face-to-Face : EN 558-1/20
Test Standard : EN 12266-1

Please contact us for other sizes, pressures and flange connections.


7300

Knife gate valve dimensional drawing

DN	A3	B	B1	ØDD	F	PN 10		
						Øk	Ød	D
50	83	115	195	315	43	125	19	M 16
65	93	120	225	315	46	145	19	M 16
80	100	142	245	315	46	160	19	M 16
100	113	145	270	315	52	180	19	M 16
125	125	152	305	315	56	210	19	M 16
150	145	178	390	315	56	240	23	M 20
200	174	228	485	400	60	295	23	M 20
250	200	246	520	400	68	350	23	M 20
300	228	302	560	550	78	400	23	M 20
350	253	350	650	550	92	460	23	M 20
400	283	370	750	700	102	515	28	M 24
450	308	500	850	700	114	565	28	M 24
500	335	464	960	700	127	620	28	M 24
600	390	650	1070	700	154	725	31	M 27
700	450	645	1085	800	165	840	31	M 27
800	510	750	1162	800	190	950	-	M 30
1000	625	1300	1390	1000	216	1160	-	M 33
1200	730	1200	2300	1200	254	1380	-	M 36



Ø 50 - 1200