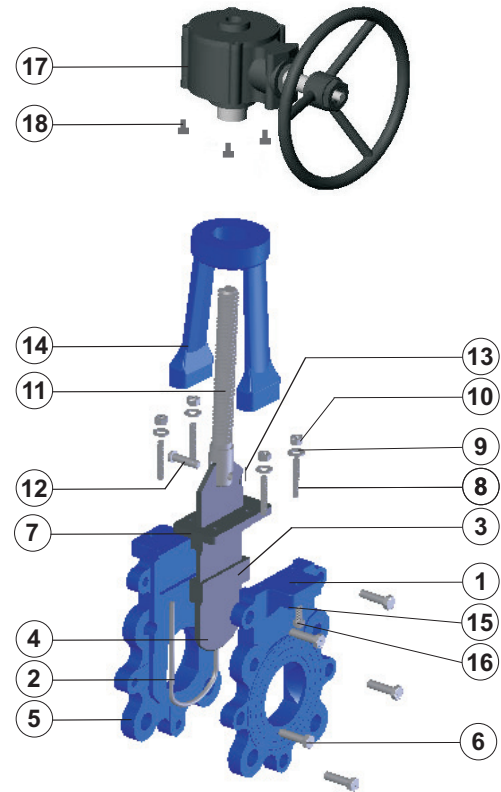
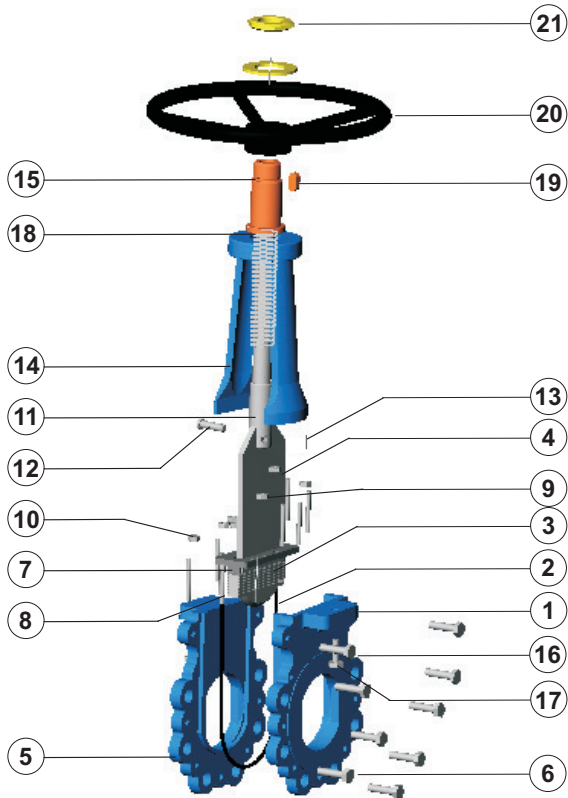




7000-RS KNIFE GATE VALVE PART LIST

7000G-RS KNIFE GATE VALVE (WITH GEAR BOX)



PN 10 - PN 16 Parts List & Material Specification Ø40-1000

P.NO	PART NAME	MATERIAL
1	Sledge Body	GGG 40-50 - AISI 304 - AISI 316
2	O-Ring	PTFE
3	Packing	Graphite - PTFE
4	Knife	AISI 304 - AISI 316
5	Cover Body	GGG 40-50 - AISI 304 - AISI 316
6	Bolt	8.8 - A-2
7	Gland	GGG 40-50 - AISI 304 - AISI 316
8	Stud	6.8 - 8.8 Electrogalvenize Coated. AISI 304
9	Washer	St 37 - A-2
10	Nut	8.8 - A-2
11	Move Screw	AISI 304 - AISI 316 - AISI 420
12	Pin	AISI 304 - AISI 316
13	Split Pin	Spring Steel
14	Bridge	GG 25 - GGG 40-50 - AISI 304 - AISI 316
15	Hive	Bronze
16	Washer	St 37 - A-2
17	Bolt	8.8 - A-2
18	Washer	Bronze
19	Key	C 45 K
20	Handwheel	St 37 - GG 25
21	Nut	C 45 Electrogalvenize Coated

P.NO	PART NAME	MATERIAL
1	Sledge Body	GGG 40-50 - AISI 304 - AISI 316
2	O-Ring	PTFE
3	Packing	Graphite - PTFE
4	Knife	AISI 304 - AISI 316
5	Cover Body	GGG 40-50 - AISI 304 - AISI 316
6	Bolt	8.8 - A-2
7	Gland	GGG 40-50 - AISI 304 - AISI 316
8	Stud	6.8 - 8.8 Electrogalvenize Coated. AISI 304
9	Washer	St 37 - A-2
10	Nut	8.8 - A-2
11	Move Screw	AISI 304 - AISI 316 - AISI 420
12	Pin	AISI 304 - AISI 316
13	Split Pin	Spring Steel
14	Bridge	GG 25 - GGG 40-50 - AISI 304 - AISI 316
15	Washer	St 37 - A-2
16	Bolt	8.8 - A-2
17	Gear Box	GG 25
18	Bolt	8.8