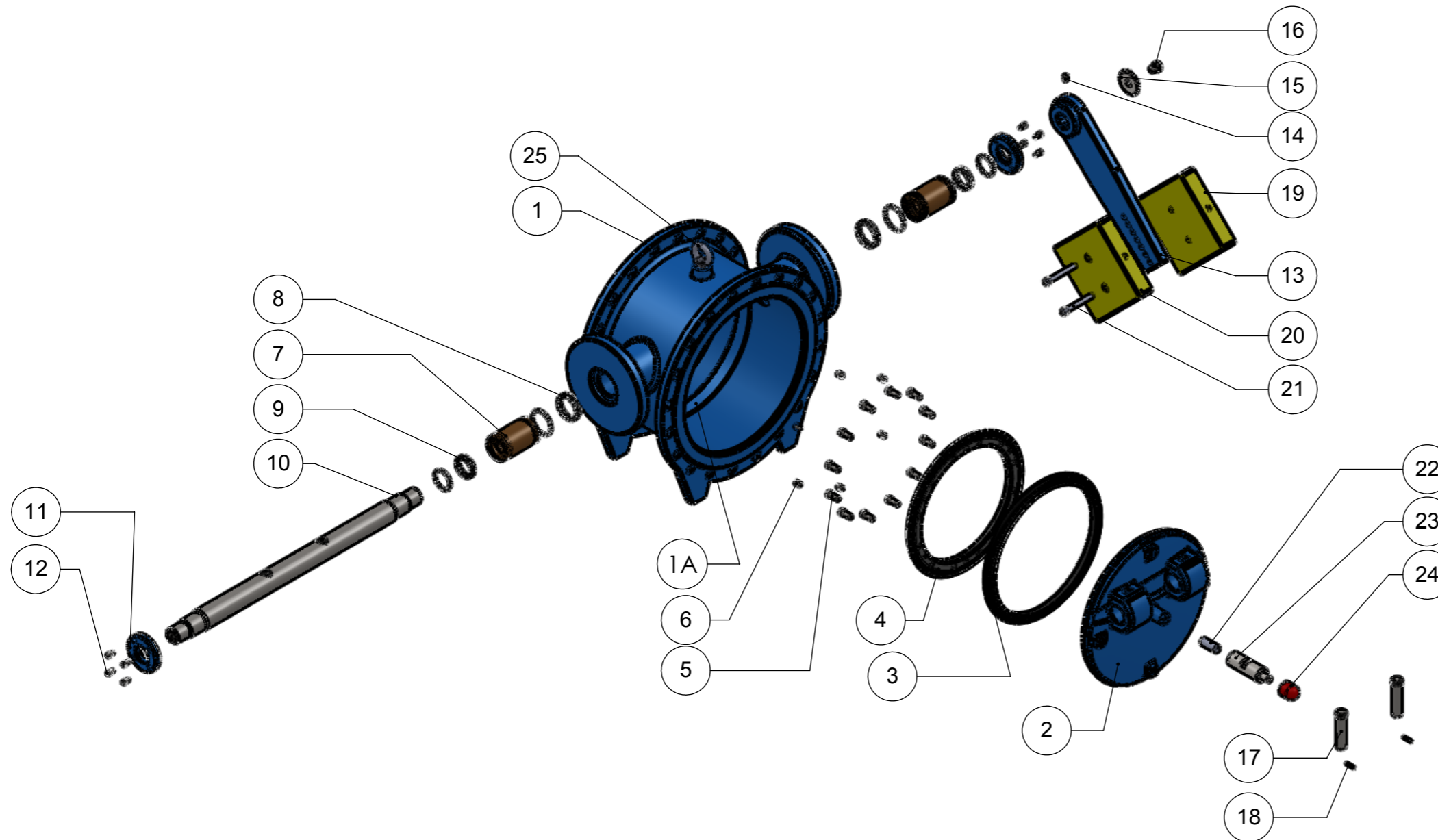


AV[®] 4010S

SOFT CHECKVALVE PART LIST



Ø 100 - 2000 Part List & Material Specification

P.NO	PART NAME	MATERIAL
1	Body	GGG 40-50
1A	Body Seat	Stainless Steel With Welding
2	Disc	GGG 40-50
3	Disc Seat	EPDM-NBR
4	Retaining Ring	St 37, AISI 304, AISI 316
5	Bolt	A2
6	Setscrew	A2
7	Front - Back Bushing	G-SnBz10 (Bronze), Delrin
8	O-ring	NBR
9	O-ring	NBR
10	Shaft	AISI 420
11	Front - Back Cover	St 37
12	Bolt	8.8
13	Lever	St 37
14	Setscrew	8.8
15	Washer	Ç 1050
16	Bolt	8.8
17	Pin	1.4021
18	Cutter Pin	A2
19	Weight	St 37
20	Weight	St 37
21	Bolt	8.8
22	Setscrew	A2
23	Stopper	1.4401
24	Stopper	Vulkalon
25	Eye Bolt	A 105