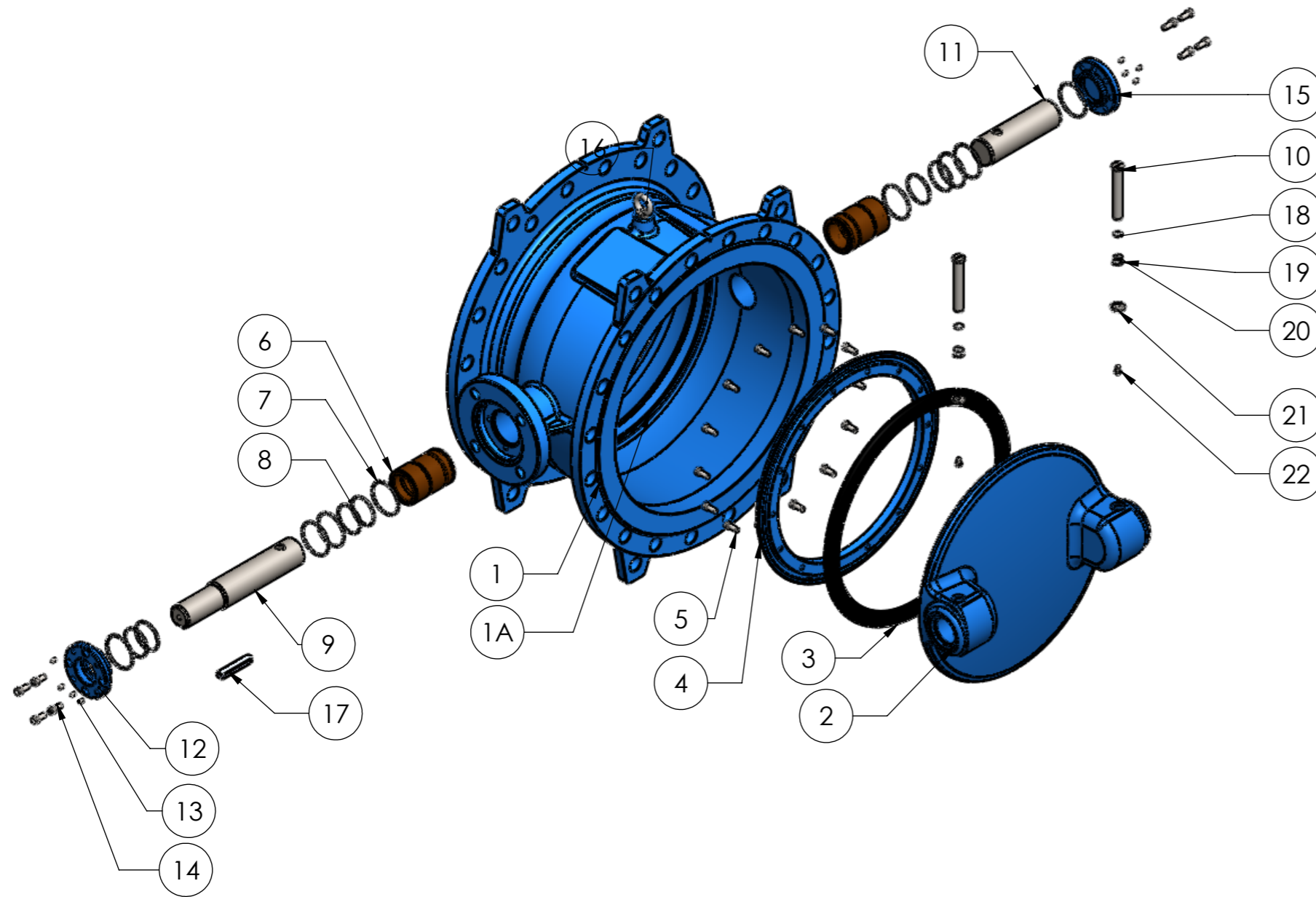


# 2010

# BUTTERFLY VALVE PARTS LIST



## Ø 150 - 3000 Parts List & Material Specification

P.NO	PART NAME	MATERIAL
1	Body	GGG 40-50
1A	Body Seat	Stainless Steel With Welding
2	Disc	GGG 40-50
3	Disc Seat	EPDM
4	Retaining Ring	St-37,AISI 304, AISI 316
5	Bolt	A2
6	Front - Back Bushing	Bronze
7	O-ring	EPDM
8	O-ring	EPDM
9	Front Shaft	1.4021, 1.4057
10	Pin	1.4021, 1.4057
11	Back Shaft	1.4021, 1.4057
12	Front Cover	St 37, GGG 40
13	Setscrew	8.8
14	Bolt	8.8
15	Back Cover	St 37, GGG 40
16	Eye Bolt	A 105
17	Key	C 45 K
18	O-ring	EPDM
19	Segment	A2
20	O-ring	EPDM
21	Washer	A2
22	Bolt	A2