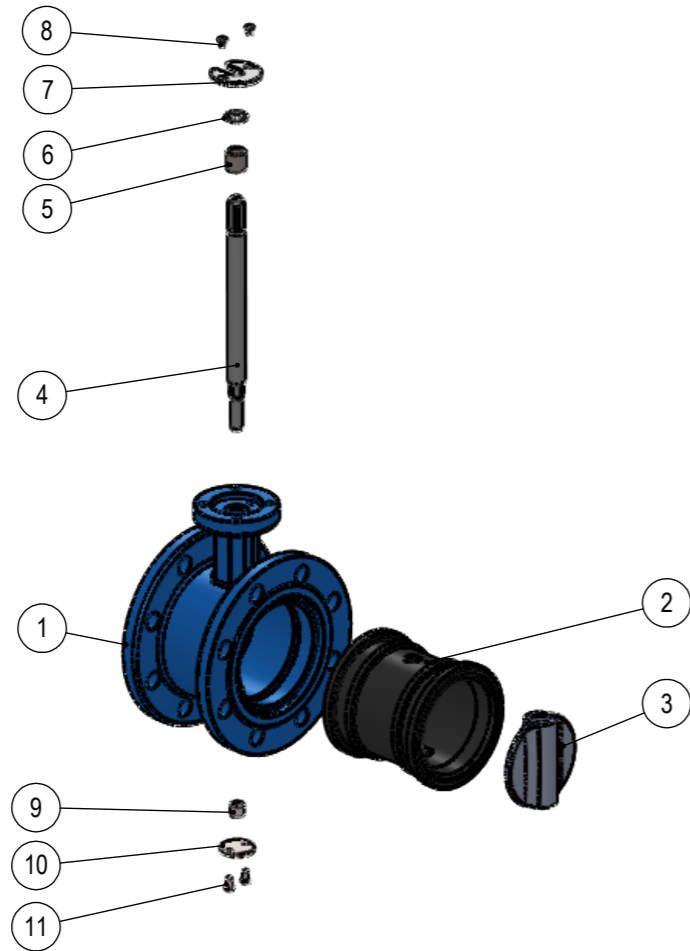


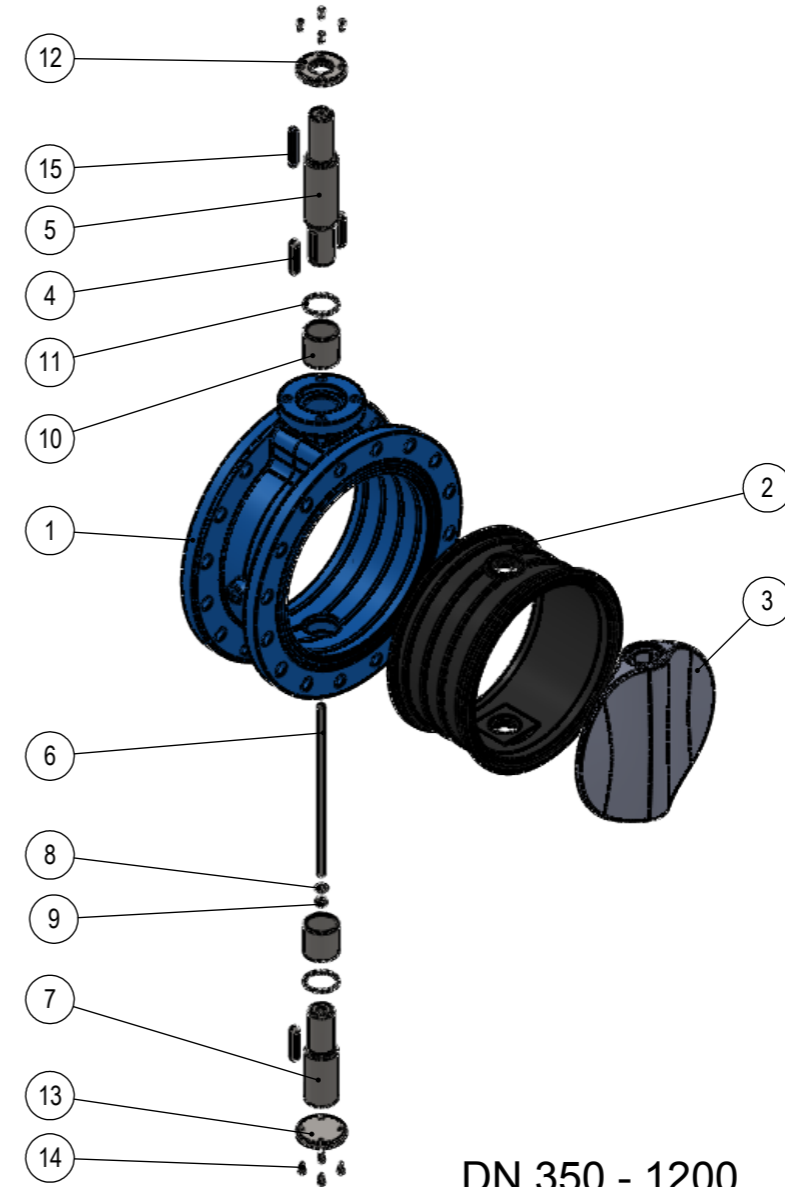
# AV<sup>®</sup> 1160

## DOUBLE FLANGED BUTTERFLY VALVE PARTS LIST



DN 80 - 300

P.NO	PART NAME	MATERIAL
1	Body	GGG 40-50, GGG 40.3, Al-Bz, AISI 316, A216 WCB
2	Body seat	EPDM, NBR, Viton, Hypalon, Neopren, Nr, Silicone
3	Disc	AISI 316, Al-Bz, GGG 40-50, 1.4462, 1.4057, A216 WCB
4	Stem	AISI 304, AISI 316, AISI 420, 1.4057, 1.4462
5	Bearing	SB (Carbon Steel)
6	O-Ring	NBR
7	Washer	St-37, A-2
8	Bolt	8.8, A-2
9	Bearing	SB (Carbon Steel + PTFE)
10	Lower Cover	St-37
11	Bolt	8.8, A-2



DN 350 - 1200

P.NO	PART NAME	MATERIAL
1	Body	GGG 40-50, GGG 40.3, Al-Bz, AISI 316, A216 WCB
2	Body seat	EPDM, NBR, Viton, Hypalon, Neopren, NR, Silicone
3	Disc	AISI 316, Al-Bz, GGG 40-50, 1.4462, 1.4057, A216 WCB
4	Key	C 45 k
5	Upper stem	AISI 304, AISI 316, AISI 420, 1.4057, 1.4462
6	Connecting stud	AISI 304, AISI 316, AISI 420, 1.4057, 1.4462
7	Lower stem	AISI 304, AISI 316, AISI 420, 1.4057, 1.4462
8	Washer	St-37, A-2
9	Nut	6.8, A-2
10	Bearing	SB (Carbon Steel + PTFE)
11	O-ring	EPDM, NBR
12	Upper cover	C 45
13	Lower cover	C 45
14	Bolt	8.8, A-2
15	Key	C 45 k