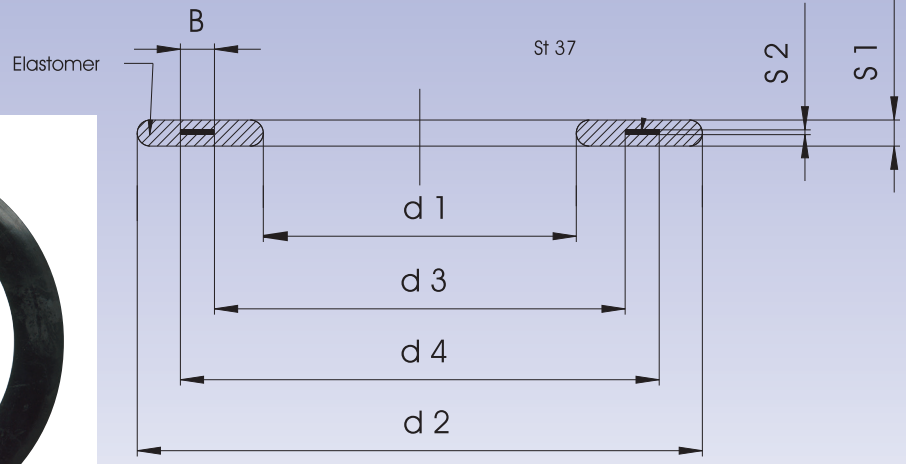




Etilen propilen kauçuk esaslı contası ve deformasyon önleyici çelik çemberi ile geliştirilmiş uzun ömürlü sızdırmazlık elemanıdır. Asbest içermeyen içeriği ile -40 / +110 °C aralığında genel amaçlı tüm sistemlerde kullanılabilir.

Asteknik Tipi : 8000
Tipi : Çelik Çemberli Elastomer Conta
DN/ANSI : DN 25-DN 2500 1" - 100"
Flanş Bağlantısı : PN 10, PN 16
Standardı : DIN 2690

Diğer ölçü ve basınç sınıfları için firmamızı arayınız.



ÇALIŞMA BASINCI : PN 16

STANDART : DIN 2690

ÇELİK PLAKA (st 37)

Tablo :D28

DN	d1	d2	S1	B	S2	d3	d4
25	35	70	4	5,5	1,0	45,0	56,0
32	43	82	4	8,0	1,0	55,0	71,0
40	49	92	4	8,0	1,0	58,0	74,0
50	61	107	4	8,0	1,0	72,0	88,0
65	77	127	4	8,5	1,0	86,0	103,0
80	90	142	4	10,0	1,0	104,0	124,0
100	115	162	5	10,5	1,0	123,0	142,0
125	141	192	5	11,5	1,0	153,0	176,0
150	169	218	5	11,5	1,0	176,0	199,0
200	220	273	6	10,0	1,5	236,5	256,5
250	274	330	6	10,0	1,5	292,0	312,0
300	325	385	6	10,0	1,5	345,0	365,0
350	368	445	7	10,0	1,5	396,5	416,5
400	420	497	7	10,0	1,5	448,5	468,5
450	470	557	7	16,0	2,0	497,5	529,5
500	520	618	7	16,0	2,0	553,0	585,0
600	620	735	7	16,0	2,0	661,5	693,5
700	720	805	8	16,0	2,0	746,5	778,5
800	820	910	8	16,0	2,0	849,0	881,0
900	920	1010	8	16,0	2,0	949,0	981,0
1000	1020	1125	8	16,0	2,0	1056,5	1088,5
1200	1220	1340	8	16,0	2,0	1264,0	1296,0
1400	1420	1545	8	20,0	3,0	1462,5	1502,5
1600	1620	1770	8	20,0	3,0	1675,0	1715,0
1800	1820	1970	8	30,0	3,0	1865,0	1925,0
2000	2020	2175	10	30,0	3,0	2066,5	2126,5
2200	2220	2384	10	30,0	3,0	2272	2332
2500	2520	2680	10	30,0	3,0	2570	2630

Firmamızın ölçülerde değişiklik yapma hakkı saklıdır. Diğer ölçüler için üreticiye başvurunuz.

ÇALIŞMA BASINCI : PN 10

STANDART : DIN 2690

ÇELİK PLAKA (st 37)

Tablo :D27

DN	d1	d2	S1	B	S2	d3	d4
25	35	70	4	5,5	1,0	45,0	56,0
32	43	82	4	8,0	1,0	55,0	71,0
40	49	92	4	8,0	1,0	58,0	74,0
50	61	107	4	8,0	1,0	72,0	88,0
65	77	127	4	8,5	1,0	86,0	103,0
80	90	142	4	10,0	1,0	104,0	124,0
100	115	162	5	10,5	1,0	123,0	142,0
125	141	192	5	11,5	1,0	153,0	176,0
150	169	218	5	11,5	1,0	176,0	199,0
200	220	273	6	10,0	1,5	236,5	256,5
250	274	330	6	10,0	1,5	292,0	312,0
300	325	385	6	10,0	1,5	345,0	365,0
350	368	445	7	10,0	1,5	396,5	416,5
400	420	497	7	10,0	1,5	448,5	468,5
450	470	557	7	16,0	2,0	497,5	529,5
500	520	595	7	16,0	2,0	541,5	573,5
600	620	695	7	16,0	2,0	641,5	673,5
700	720	805	8	16,0	2,0	746,5	778,5
800	820	910	8	16,0	2,0	849,0	881,0
900	920	1010	8	16,0	2,0	949,0	981,0
1000	1020	1125	8	16,0	2,0	1056,5	1088,5
1200	1220	1340	8	16,0	2,0	1264,0	1296,0
1400	1420	1545	8	20,0	3,0	1462,5	1502,5
1600	1620	1770	8	20,0	3,0	1675,0	1715,0
1800	1820	1970	8	30,0	3,0	1865,0	1925,0
2000	2020	2175	10	30,0	3,0	2066,5	2126,5
2200	2220	2384	10	30,0	3,0	2272	2332
2500	2520	2680	10	30,0	3,0	2570	2630

REV : D 15.05.2014