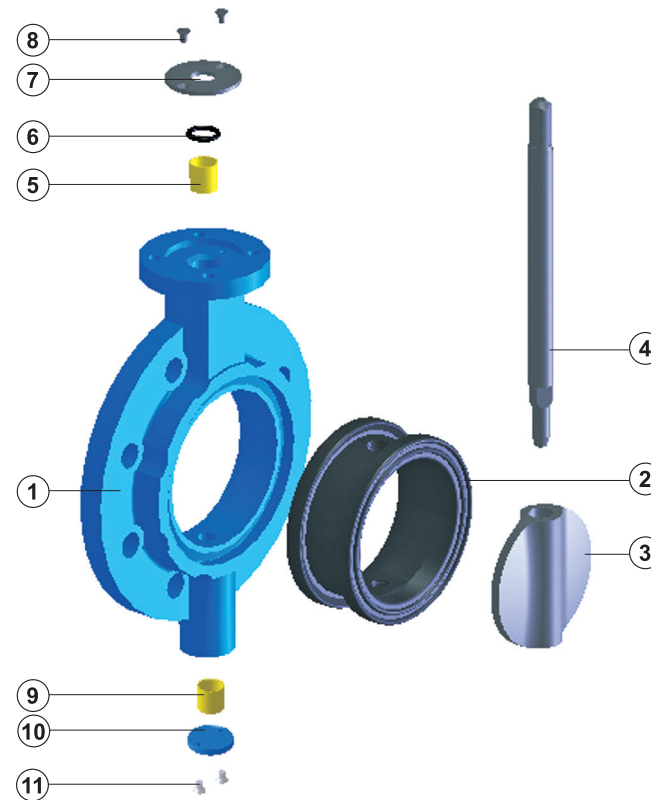


Ø 50 - 200



Ø 250 - 300



1130 HL



1130 G

Subject to change without notice,
Please contact us for other sizes and materials.

REV : D

21.04.2010

Parts List & Material Specification

Ø 50 - 200

P.NO	PART NAME	MATERIAL
1	Body	GG 25, GGG 40-50, GGG 40.3, Al-Bz AISI 316, GS-C25
2	Body seat	EPDM, NBR, Viton, Hypalon Neopren, NR, Silicone
3	Disc	AISI 316, Al-Bz, GGG 40-50, GS-C25, UB 6
4	Stem	AISI 304, AISI 316, AISI 420
5	Bearing	SB (Carbon Steel + PTFE)
6	O-Ring	NBR
7	Washer	St-37, A-2
8	Bolt	8.8, A-2

Ø 250 - 300

P.NO	PART NAME	MATERIAL
1	Body	GG 25, GGG 40-50, GGG 40.3, Al-Bz AISI 316, GS-C25
2	Body seat	EPDM, NBR, Viton, Hypalon Neopren, NR, Silicone
3	Disc	AISI 316, Al-Bz, GGG 40-50, GS-C25, UB 6
4	Stem	AISI 304, AISI 316, AISI 420
5	Bearing	SB (Carbon Steel + PTFE)
6	O-Ring	NBR
7	Washer	St-37, A-2
8	Bolt	8.8, A-2
9	Bearing	SB (Carbon Steel + PTFE)
10	Lower Cover	St-37
11	Bolt	8.8, A-2



1130 MONO FLANGED BUTTERFLY VALVE

While Type 1130 is used in all general purpose operations and also can be used as a stopper and as a tap for discharging at the ends of pipe lines by its mono flange.

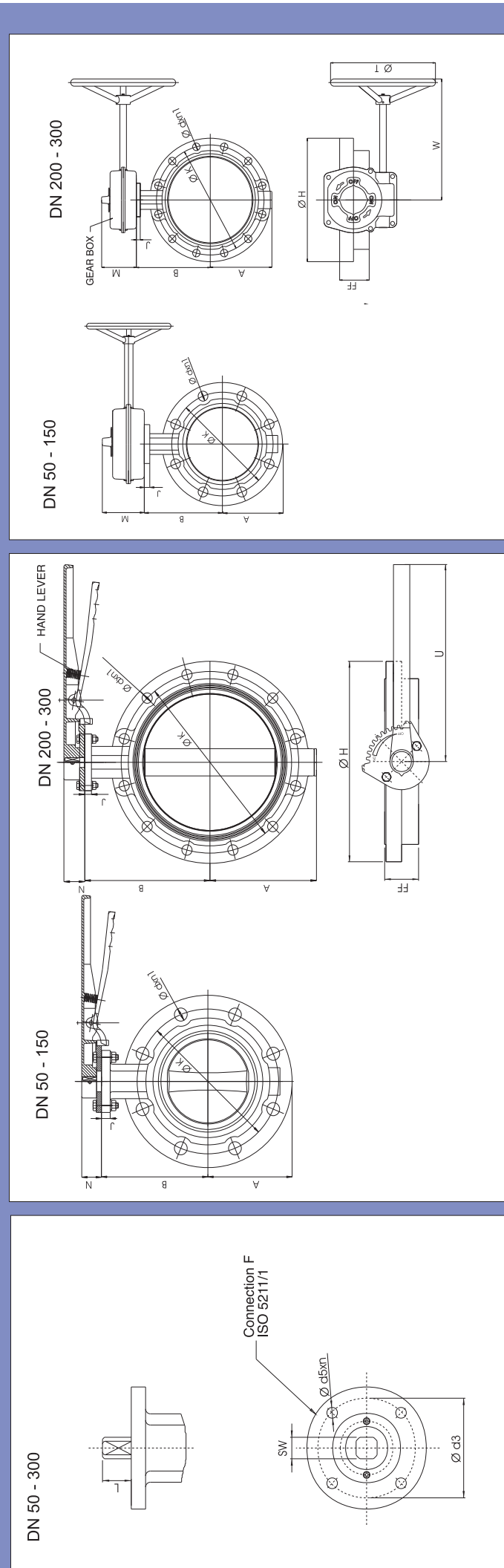
Asteknik Valve Type : 1130
Valve Type : Mono Flanged Butterfly valve
DN/ANSI : DN 50- DN 300 2" - 12"
Working Pressure : PN 6, PN 10
Flange Connection : PN 6, PN 10, PN 16
Top Flange : ISO 5211
Marking : EN 19
Face-to-Face : EN 558-1/20
Test Standard : EN 12266-1

Please contact us for other sizes, pressures and flange connections.



1130

Mono Flanged Butterfly valve dimensional drawing



DN	A	B	FF	Ø H	J	M	N	U	W	Ø T	F	Ø5x11	Ø SW	L	Ø d3	PN 10		PN 16		FREE SHAFT Weight (kg)	HAND LEVER		GEAR BOX				
																Ø K	Ø d	n1	Ø K		Ø d	n1	Type	Weight (kg)	Type	Weight (kg)	
Ø 50	82	108	43	165	13	50	37	220	159	200	07	9x4	Ø 9	20	70	125	Ø 18	4	125	Ø 18	4	4.5	92-150	AST-20	0.600	AST-20	2,900
Ø 65	93	127	46	185	13	50	37	220	159	200	07	9x4	Ø 11	20	70	145	Ø 18	4	145	Ø 18	4	5.0	92-150	AST-20			
Ø 80	102	132	46	200	14	50	37	260	159	200	07	9x4	Ø 14	20	70	160	Ø 18	8	160	Ø 18	8	6.0	92-200	AST-20	0.800	AST-20	2,900
Ø 100	117	155	52	220	14	50	37	260	159	200	07	9x4	Ø 14	20	70	180	Ø 18	8	180	Ø 18	8	8.0	92-200	AST-20			
Ø 125	127	160	56	250	14	50	37	260	159	200	07	9x4	Ø 14	20	70	210	Ø 18	8	210	Ø 18	8	11.0	92-200	AST-20	0.900	AST-20	2,900
Ø 150	142	185	56	285	14	50	37	350	159	200	07	9x4	Ø 17	22	70	240	Ø 22	8	240	Ø 22	8	14.0	92-300	AST-20			
Ø 200	170	213	60	340	15	50	37	350	159	200	07	9x4	Ø 17	22	70	295	Ø 22	8	295	Ø 22	12	18.0	92-300	AST-20	2.600	AST-20	8,220
Ø 250	212	245	68	395	15	75	47	400	238	260	10	11x4	Ø 22	32	102	350	Ø 22	12	355	Ø 26	12	23.0	92-400	AST-30			
Ø 300	240	282	78	445	15	75	47	400	238	260	10	11x4	Ø 27	32	102	400	Ø 22	12	410	Ø 26	12	35.0	92-400	AST-30			