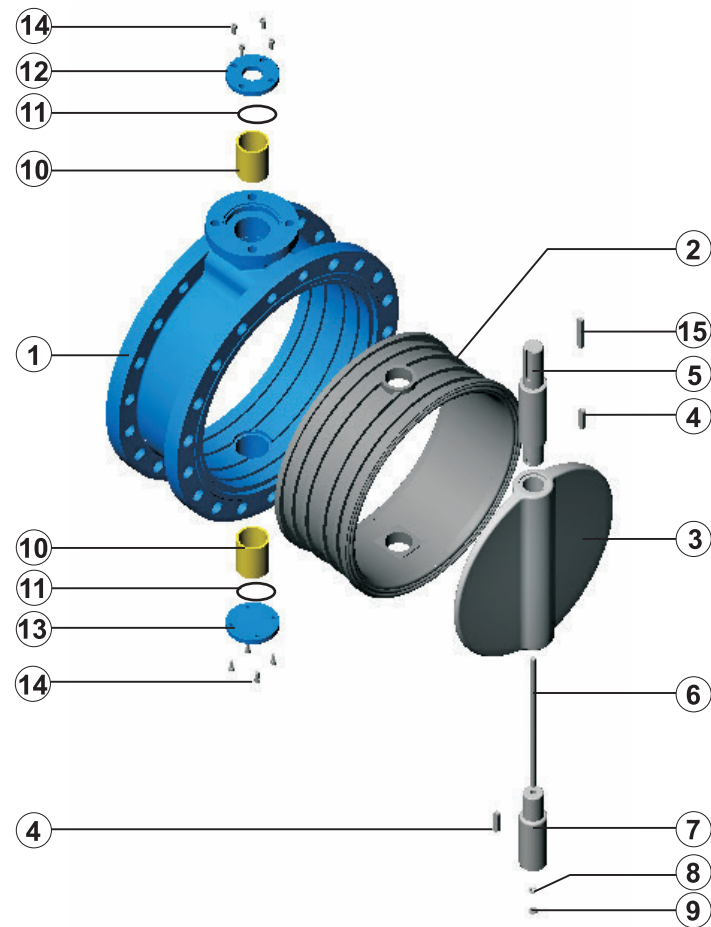


Ø 100-300



Ø 350-800



1160 G

Subject to change without notice,
Please contact us for other sizes and materials.

REV : G

17.03.2014

Part List & Material Specification

Ø 100-300

P.NO	PART NAME	MATERIAL
1	Body	GGG 40-50, GGG 40.3, Al-Bz, AISI 316, GS-C25
2	Body seat	EPDM, NBR, Viton, Hypalon, Neopren, Nr, Silicone
3	Disc	AISI 316, Al-Bz, GGG 40-50, GS-C25, UB 6
4	Stem	AISI 304, AISI 316, AISI 420
5	Bearing	SB (Carbon Steel)
6	O-Ring	NBR
7	Washer	St-37, A-2
8	Bolt	8.8, A-2
9	Bearing	SB (Carbon Steel + PTFE)
10	Lower Cover	St-37
11	Bolt	8.8, A-2

Ø 350-800

P.NO	PART NAME	MATERIAL
1	Body	GGG 40-50, GGG 40.3, Al-Bz, AISI 316, GS-C25
2	Body seat	EPDM, NBR, Viton, Hypalon, Neopren, NR, Silicone
3	Disc	AISI 316, Al-Bz, GGG 40-50, GS-C25, UB 6
4	Key	C 45 k
5	Upper stem	AISI 304, AISI 316, AISI 420
6	Connecting stud	AISI 304, AISI 316, AISI 420
7	Lower stem	AISI 304, AISI 316, AISI 420
8	Washer	St-37, A-2
9	Nut	6.8, A-2
10	Bearing	SB (Carbon Steel + PTFE)
11	O-ring	EPDM, NBR
12	Upper cover	C 45
13	Lower cover	C 45
14	Bolt	8.8, A-2
15	Key	C 45 k



1160 E



1160 DOUBLE FLANGED BUTTERFLY VALVE

Type 1160 double flanged butterfly valve can be used in all general purpose applications. Additionally, for the end of line conditions when connected with a blind flange with its suitable face to face permits to open the disc easily.

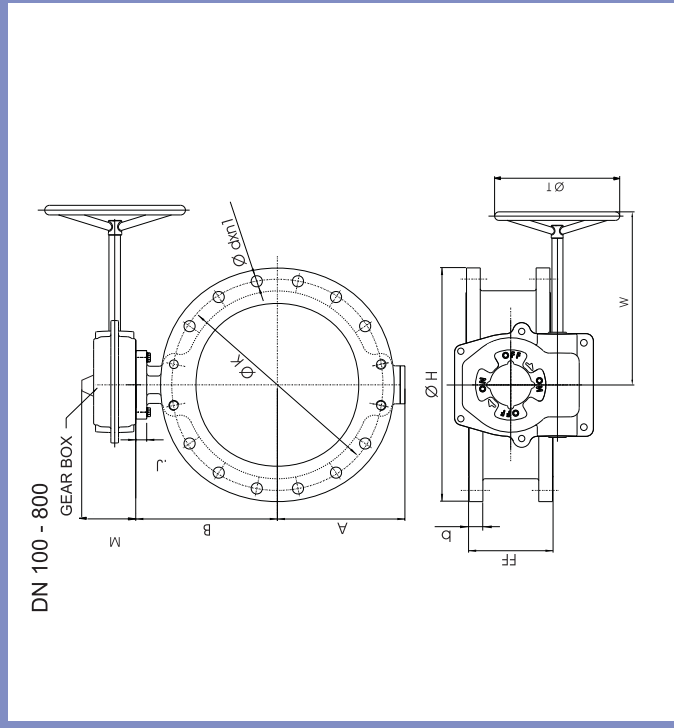
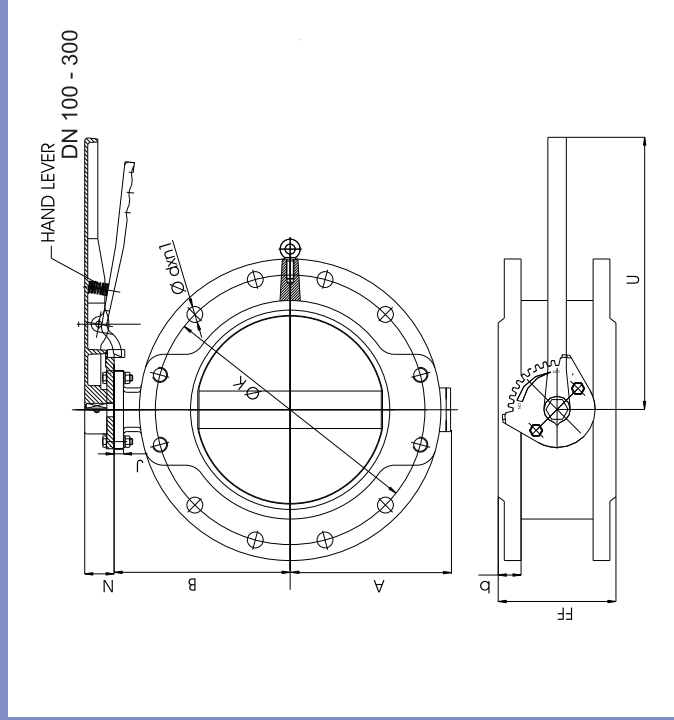
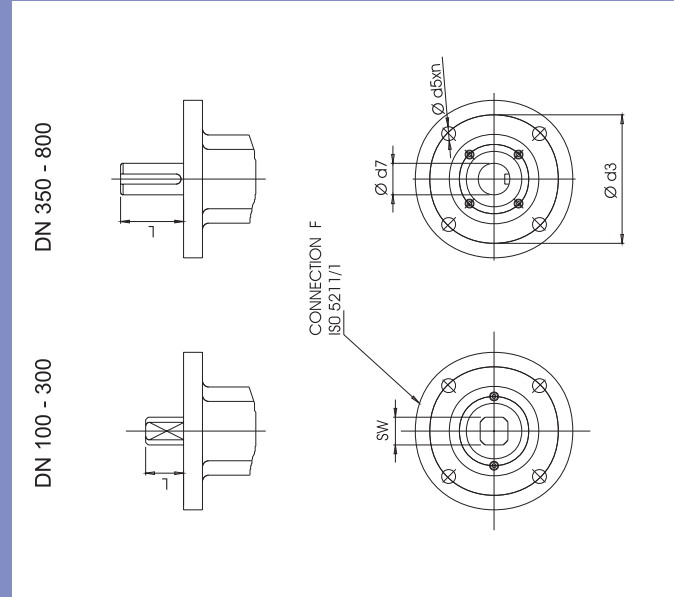
- Asteknik Valve Type :** 1160
Valve Type : Double Flanged Butterfly valve
DN/ANSI : DN 100 - DN 800 4" - 32"
Working Pressure : PN 6, PN 10
Flange Connection : PN 6, PN 10, PN 16, ANSI CL 150
Top Flange : ISO 5211
Marking : EN 19
Face-to-Face : BS155-Double Flanged short, EN 558 1 / 13
Test Standard : EN 12266-1

Please contact us for other sizes, pressures and flange connections.



1160

Double flanged butterfly valve dimensional drawing



DN	A	B	b	FF	Ø H	J	M	N	U	W	Ø T	F	F Ød5xn	SW Ø d7	L	Ø d3	PN 10			PN 16			CL 150			FREE SAHFT		HAND LEVER		GEAR BOX					
																	Ø K	Ø d	n1	Ø K	Ø d	n1	Ø K	Ø d	n1	Weight (kg)	Type	Weight (kg)	Type	Weight (kg)	Type	Weight (kg)	Type	Weight (kg)	Type
Ø 100	112	155	23.9	127	220	14	50	37	260	159	200	07	9x4	14	32	70	180	Ø 18	8	180	Ø 18	8	190.5	19.1	8	13.5	92-200	0.800	AST-20	AST-20	2,900	AST-20	AST-20	2,900	
Ø 125	125	160	23.9	140	250	14	50	37	260	159	200	07	9x4	14	32	70	210	Ø 18	8	210	Ø 18	8	215.9	22.4	8	14.0	92-200	0.800	AST-20	AST-20	2,900	AST-20	AST-20	2,900	
Ø 150	146	189	25.4	140	285	14	50	37	350	159	200	07	9x4	17	32	70	240	Ø 22	8	240	Ø 22	8	241.3	22.4	8	17.0	92-300	0.900	AST-20	AST-20	2,900	AST-20	AST-20	2,900	
Ø 200	170	213	28.4	152	340	15	75	37	350	238	260	10	11x4	17	32	102	295	Ø 22	8	295	Ø 22	12	298.5	22.4	8	35.0	92-400	2.600	AST-30	AST-30	8,220	AST-30	AST-30	8,220	
Ø 250	220	250	30.2	165	405	15	75	47	400	238	260	10	11x4	22	32	102	350	Ø 22	12	355	Ø 26	12	362	25.4	12	53.0	92-400	2.600	AST-30	AST-30	8,220	AST-30	AST-30	8,220	
Ø 300	247	290	31.8	178	460	15	75	47	400	238	260	10	11x4	27	32	102	400	Ø 22	12	410	Ø 26	12	431.8	25.4	12	94.0	92-400	2.600	AST-30	AST-30	8,220	AST-30	AST-30	8,220	
Ø 350	300	318	35	190	520	28	102	-	400	315	400	14	17.5x4	Ø 36	75	140	460	Ø 22	16	470	Ø 26	16	476.3	28.4	12	140.0	-	-	AST-40	AST-40	12,240	AST-40	AST-40	12,240	
Ø 400	326	367	36.8	216	580	28	102	-	400	315	400	14	17.5x4	Ø 45	75	140	515	Ø 26	16	525	Ø 30	16	539.8	28.4	16	165.0	-	-	AST-40	AST-40	12,240	AST-40	AST-40	12,240	
Ø 450	364	410	39.8	222	640	28	102	-	400	315	400	16	22x4	Ø 45	92	165	565	Ø 26	20	585	Ø 30	20	577.9	31.8	16	187.0	-	-	AST-60	AST-60	17,900	AST-60	AST-60	17,900	
Ø 500	410	447	42.9	229	715	28	102	-	400	315	400	16	22x4	Ø 50	92	165	620	Ø 26	20	650	Ø 33	20	635	31.8	20	255.0	-	-	AST-60	AST-60	17,900	AST-60	AST-60	17,900	
Ø 600	482	525	47.8	267	840	28	102	-	414	600	600	16	22x4	Ø 65	92	165	725	Ø 30	20	770	Ø 36	20	749.3	35.1	20	376.0	-	-	AST-80	AB1950NHR	32,660	AB1950NHR	32,660	AB1950NHR	32,660
Ø 700	564	548	53	229/292	910	30	135	-	414	600	600	25	18x8	Ø 68	118	254	840	Ø 30	24	840	Ø 36	24	863.6	35.1	28	-	-	-	AB6800NLT/SP4	AB6800NLT/SP4	45,000	AB6800NLT/SP4	45,000	AB6800NLT/SP4	45,000
Ø 800	605	640	58	318	1025	30	135	-	414	600	600	25	18x8	Ø 82	118	254	950	Ø 34	24	950	Ø 41	24	977.9	Ø 41	28	-	-	-	AB6800NLT/SP4	AB6800NLT/SP4	70,000	AB6800NLT/SP4	70,000	AB6800NLT/SP4	70,000

Subject to change without notice. Please contact us for other sizes.

www.asteknikvana.com

elmak@asteknikvana.com

REV. M

05.12.2013