

1170 G

Subject to change without notice,
Please contact us for other sizes and materials.

REV : H

30.09.2015

Part List & Material Specification

Ø 100-200

P.NO	PART NAME	MATERIAL
1	Body	GGG 40-50, GGG 40.3, Al-Bz, AISI 316, GS-C25
2	Body seat	EPDM, NBR, Viton, Hypalon, Neopren, NR, Silicone
3	Disc	AISI 316, Al-Bz, GGG 40-50, GS-C25, UB 6
4	Stem	AISI 304, AISI 316, AISI 420
5	Bearing	SB (Carbon Steel + PTFE)
6	O-Ring	NBR
7	Washer	St-37, A-2
8	Bolt	8.8, A-2

Ø 250-300

P.NO	PART NAME	MATERIAL
1	Body	GGG 40-50, GGG 40.3, Al-Bz, AISI 316, GS-C25
2	Body seat	EPDM, NBR, Viton, Hypalon, Neopren, NR, Silicone
3	Disc	AISI 316, Al-Bz, GGG 40-50, GS-C25, UB 6
4	Stem	AISI 304, AISI 316, AISI 420
5	Bearing	SB (Carbon Steel + PTFE)
6	O-Ring	NBR
7	Washer	St-37, A-2
8	Bolt	8.8, A-2
9	Bearing	SB (Carbon Steel + PTFE)
10	Lower Cover	St-37
11	Bolt	8.8, A-2

Ø 350-1800

P.NO	PART NAME	MATERIAL
1	Body	GGG 40-50, GGG 40.3, Al-Bz, AISI 316, GS-C25
2	Body seat	EPDM, NBR, Viton, Hypalon, Neopren, NR, Silicone
3	Disc	AISI 316, Al-Bz, GGG 40-50, GS-C25, UB 6
4	Key	C 45 k
5	Upper stem	AISI 304, AISI 316, AISI 420
6	Connecting stud	AISI 304, AISI 316, AISI 420
7	Lower stem	AISI 304, AISI 316, AISI 420
8	Washer	St-37, A-2
9	Nut	6.8, A-2
10	Bearing	SB (Carbon Steel + PTFE)
11	O-ring	EPDM, NBR
12	Upper cover	C 45
13	Lower cover	C 45
14	Bolt	8.8, A-2
15	Key	C 45 k



1170 G



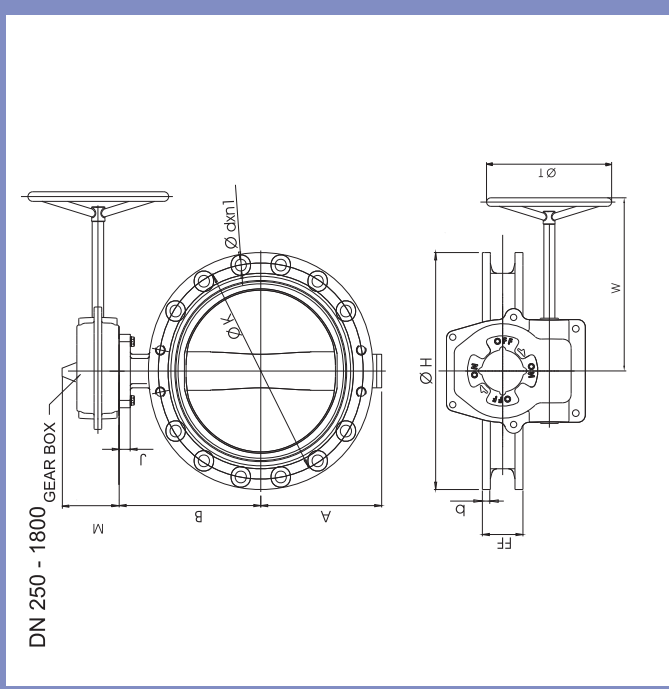
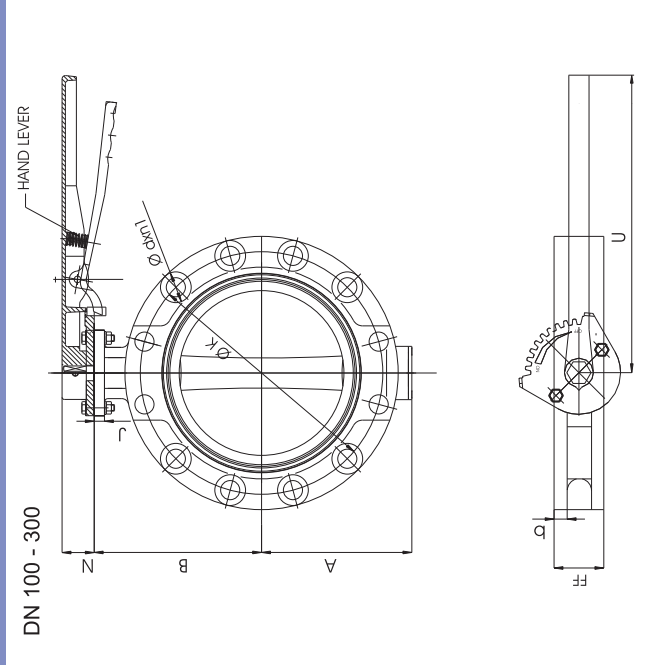
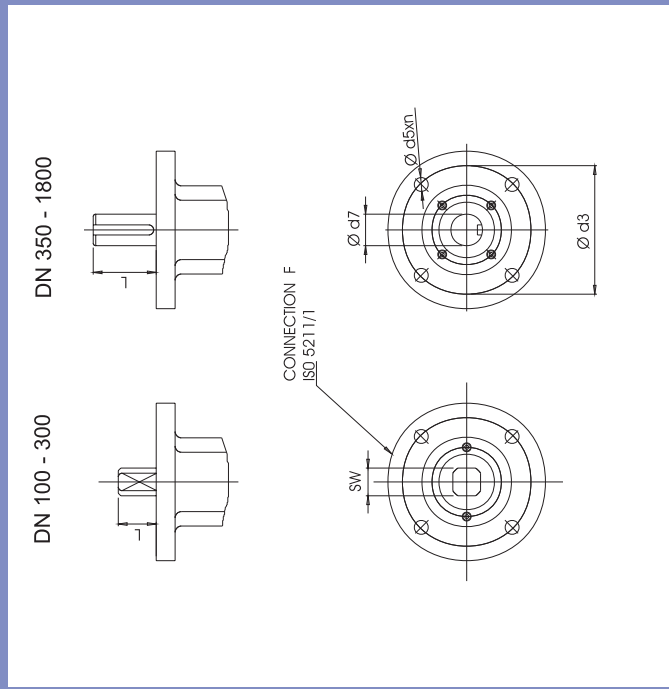
1170 DOUBLE FLANGED BUTTERFLY VALVE

Type 1170 double flanged valve is used in all general purpose operations also can be used as a stopper and tap for discharging at the ends of pipe lines. With its flanges it permits to install to the line flange or easy uninstalation of the line.

Asteknik Valve Type : 1170
Valve Type : Double Flanged Butterfly Valve
DN/ANSI : DN 100 - DN 1800 4" - 72"
Working Pressure : PN 6, PN 10
Flange Connection : PN 6, PN 10, PN 16
Top Flange : ISO 5211
Marking : EN 19
Face-to-Face : EN 558-1/20
Test Standard : EN 12266-1

Please contact us for other sizes, pressures and flange connections.

Double flanged butterfly valve dimensional drawing



DN	A	B	b	FF	Ø H	J	M	N	U	W	Ø T	F	Ø d5xn	SW Ø d7	L	Ø d3	PN 10			PN 16			FREE SHAFT Weight (kg)	HAND LEVER		GEAR BOX		Weight (kg)
																	Ø K	Ø d	n1	Ø K	Ø d	n1		Type	Weight (kg)	Type	Weight (kg)	
Ø 100	110	155	-	52	220	14	50	37	260	159	200	07	9x4	14	20	70	180	Ø 19	8	180	Ø 19	8	12.0	92-200	AST-20	AST-20	2,900	
Ø 125	123	158	-	56	250	14	50	37	260	159	200	07	9x4	14	20	70	210	Ø 19	8	210	Ø 19	8	14.0	92-200	AST-20	AST-20	2,900	
Ø 150	141	185	-	56	285	14	50	37	350	159	200	07	9x4	17	22	70	240	Ø 23	8	240	Ø 23	8	17.0	92-300	AST-20	AST-20	2,900	
Ø 200	174	213	-	60	340	15	50	37	350	159	200	07	9x4	17	22	70	295	Ø 23	8	295	Ø 23	12	25.0	92-300	AST-20	AST-20	2,900	
Ø 250	212	245	22	68	400	15	75	47	400	238	260	10	11x4	22	32	102	350	Ø 23	12	355	Ø 28	12	40.0	92-400	AST-30	AST-30	8,220	
Ø 300	243	282	24.5	78	455	15	75	47	400	238	260	10	11x4	27	32	102	400	Ø 23	12	410	Ø 28	12	46.0	92-400	AST-30	AST-30	8,220	
Ø 350	300	318	26.5	78 / 92	515	28	102	-	-	315	400	14	17.5x4	Ø 36	75	140	460	Ø 23	16	470	Ø 28	16	55.0	-	AST-40	AST-40	12,240	
Ø 400	326	362	28	102	575	28	102	-	-	315	400	14	17.5x4	Ø 36	75	140	515	Ø 28	16	525	Ø 31	16	81.0	-	AST-40	AST-40	12,240	
Ø 450	365	410	30	114	635	26	102	-	-	315	400	16	22x4	Ø 45	92	165	565	Ø 28	20	585	Ø 31	20	140.0	-	AST-60	AST-60	17,900	
Ø 500	408	435	31.5	127	710	26	102	-	-	315	400	16	22x4	Ø 45	92	165	620	Ø 28	20	650	Ø 34	20	150.0	-	AST-80	AST-80	32,660	
Ø 600	482	519	36	154	835	26	102	-	-	315	600	16	22x4	Ø 60	92	165	725	Ø 31	20	770	Ø 37	20	201.0	-	AST-80	AB1950NHR	45,000	
Ø 700	564	548	39.5	165	905	32	135	-	-	414	600	25	18x8	Ø 68	118	254	840	Ø 31	24	840	Ø 37	24	292.0	-	AB1950NHR	AB6800NLT/SP4	70,000	
Ø 800	587	587	43	180 / 190	1020	35	135	-	-	414	600	25	18x8	Ø 80	118	254	950	Ø 34	24	950	Ø 41	24	365.0	-	AB6800NLT/SP4	AB6800NLT/SP4	70,000	
Ø 900	655	661	46.5	190 / 203	1115	35	225	-	-	525	600	30	22x8	Ø 80	200	298	1050	Ø 34	28	1050	Ø 41	28	506.0	-	AB6800N/SP4	AB6800N/SP4	81,000	
Ø 1000	718	751	50	216	1255	35	225	-	-	525	600	30	22x8	Ø 100	200	298	1160	Ø 37	28	1170	Ø 44	28	700.0	-	AB6800N/SP6	A250N/SP9	225,000	
Ø 1200	985	1005	57	254	1330	40	225	-	-	525	600	30	22x8	Ø 100	200	298	1380	Ø 41	32	1390	Ø 50	32	1,400.0	-	A250N/SP9	IW9RA	262,000	
Ø 1400	1017	1030	60	279	1685	60	225	-	-	525	600	40	38x8	Ø 150	200	406	1590	Ø 44	36	1590	Ø 60	36	-	-	IW62	IW9RA	262,000	
Ø 1600	1145	1160	65	318	1930	60	225	-	-	525	600	48	38x12	Ø 160	200	483	1820	Ø 50	40	1820	Ø 57	40	-	-	IW11	IW11	570,000	
Ø 1800	1172	1260	70	356	2130	60	225	-	-	525	600	48	38x12	Ø 150	200	483	2020	Ø 50	44	2020	Ø 57	44	-	-	IW11	IW11	570,000	

Subject to change without notice. Please contact us for other sizes.