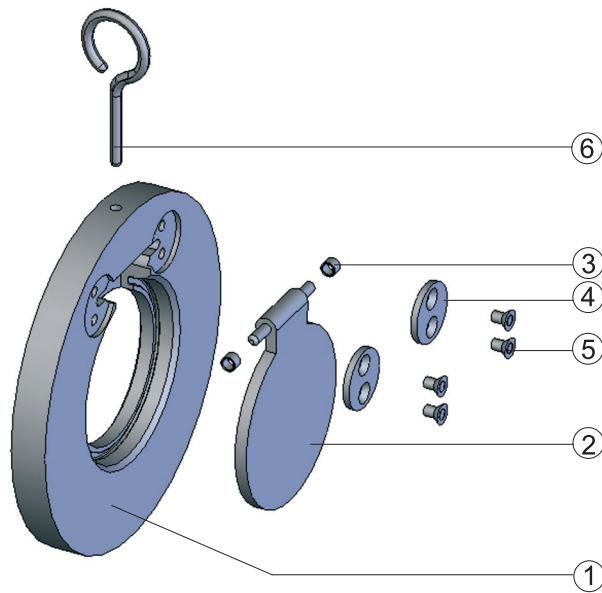


4310



4311



4311

Subject to change without notice,
Please contact us for other sizes and materials.

REV : E

04.11.2009

Part List & Material Specification

Ø 25 - 600

P.NO	PART NAME	MATERIAL
1	Body	C 45 / St 37 - AISI 316 - Al-Bz
2	Disc	C 45 / St 37 - AISI 316
3	O-Ring	EPDM - Nitril - Viton
4	Bushing	AISI 304
5	Pin	AISI 304
6	Washer	AISI 304
7	Bolt	A-2
8	Hook bolt	C 45

www.ateknikvana.com

Ø 250 - 900

P.NO	PART NAME	MATERIAL
1	Body	AISI 316, C 45 / St 37, Al Bz
2	Disc	C 45 / St 37 Elastomer Coated, AISI 316
3	Bushing	AISI 316, AISI 304
4	Washer	AISI 316, AISI 304
5	Bolt	A2
6	Hook bolt	C 45

elmak@ateknikvana.com



4310



4310 WAFER TYPE CHECK VALVE

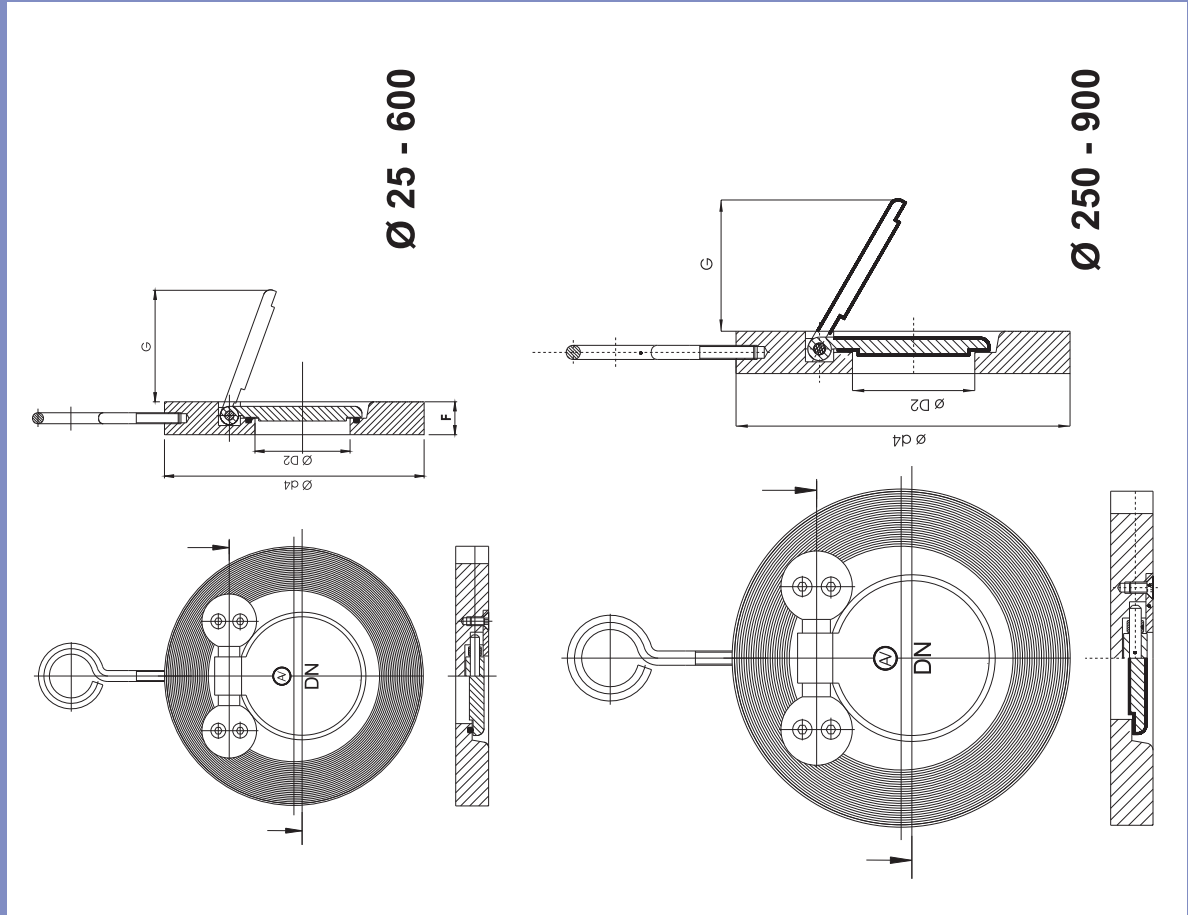
With the thin design of type 4310, wafer check valves can be used to all general purpose applications. Easy installation and maintenance free. For bigger dimensions, the disc can be coated with elastomer.

Asteknik Valve Type: 4310
Valve Type : Wafer Check valve
DN/ANSI : DN 25 - DN 900 1" - 36"
Working Pressure : PN 6, PN 10
Flange Connection : PN 10, PN 16, PN 25, CL 150
Marking : EN 19
Test Standard : EN 12266-1

Please contact us for other sizes, pressures and flange connections.


4310
4311

Wafer Check valve dimensional drawing



TYPE	DN	ØD2	F	G	Ød 4				
					PN 6	PN 10	PN 16	PN 25	CL 150
4310	25	10	16,4	17	64	71	71	71	63
	32	16,1	16,4	25	76	82	82	82	73
	40	20	16,4	30	86	92	92	92	82
	50	30	16,4	41	96	107	107	107	101
	65	38	16,4	51	116	127	127	127	120
	80	52	18,4	62	132	142	142	142	133
	100	70	18,4	91	152	162	162	162	171
	125	87	22,4	105	182	192	192	192	193
	150	110	22,4	128	207	218	218	224	218
	200	154	22,4	172	262	273	273	284	273
4310-4311	250	190	32,4	213	317	328	329	340	335
	300	236	40,4	263,2	373	378	384	400	405
	350	270	39	258	423	438	444	457	-
	400	310	44	338	473	489	495	514	-
	450	360	44	331	526	539	555	562	-
	500	405	56	368	578	594	617	624	-
	600	485	70	531	679	695	734	731	-
	700	540	78	543	781	810	802	831	-
	800	630	100	600	888	915	909	940	-
	900	640	100	690	988	1015	1009	1040	-