

Subject to change without notice,  
Please contact us for other sizes and materials.

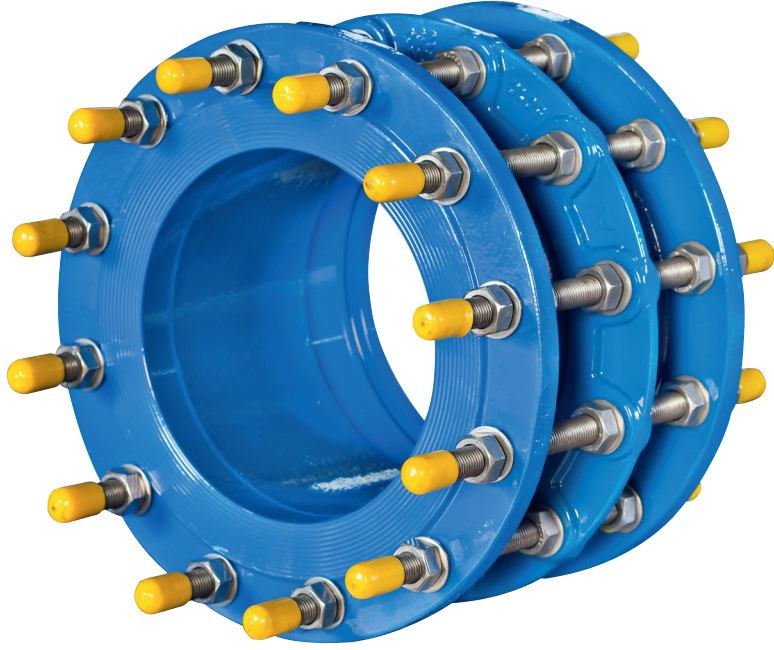
REV : J

11.03.2015

## Part List & Material Specification

Ø 80 - 3000

P.NO	PART NAME	MATERIAL
1	Long piece	GGG 40-50
2	Mid flange	GGG 40-50
3	Short flange	GGG 40-50
4	O-Ring	EPDM
5	Stud	St 37 / AISI 304 / AISI 316
6	Washer	St 37 / AISI 304 / AISI 316
7	Nut	8.8 / AISI 304 / AISI 316

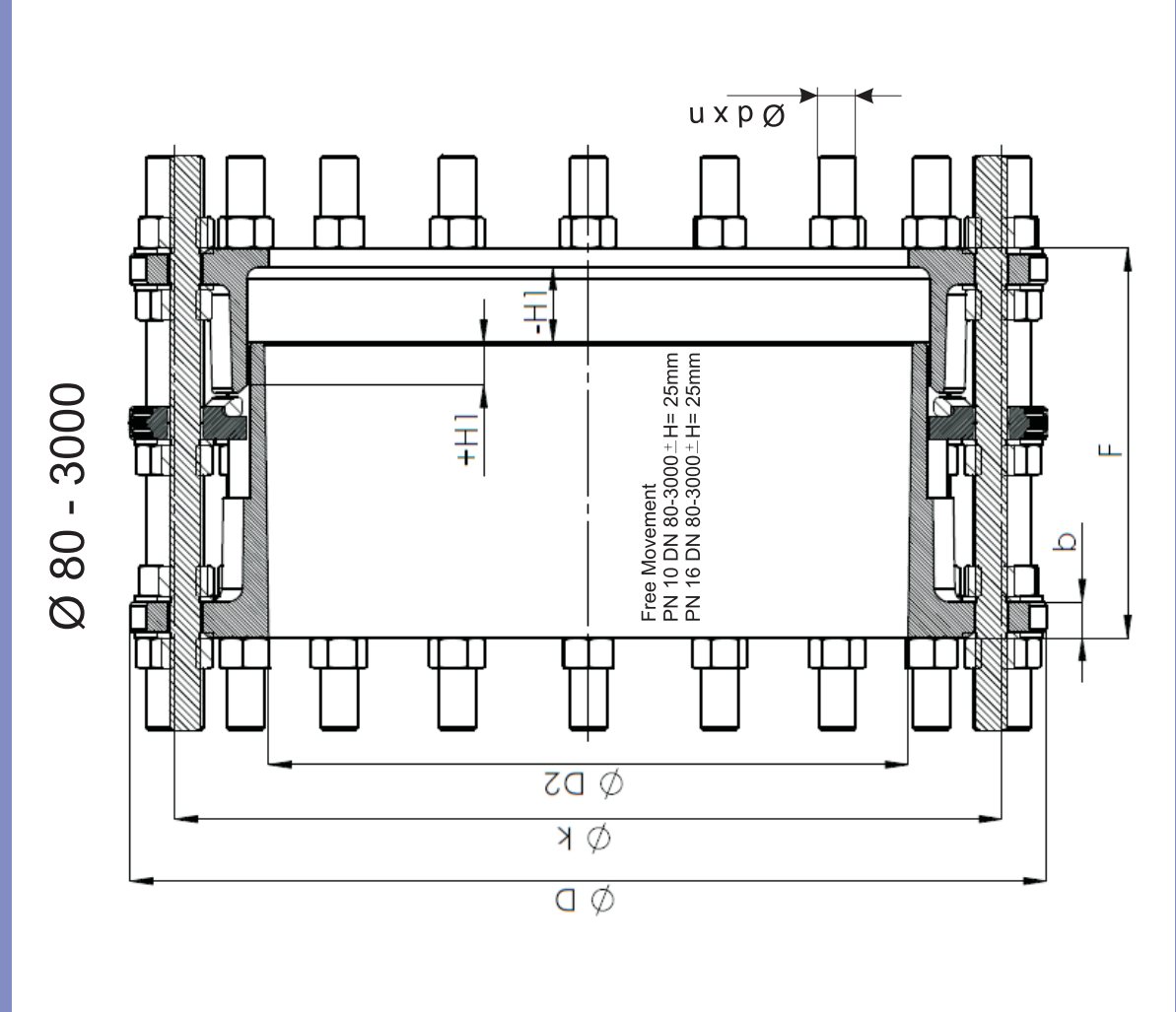


## 5010 DISMANTLING JOINT

Type 5010 is used for general applications, for easy mounting and dismantling of the flange armatures. Dismantling joint removes the stress on valves in the line due to installation problems. For each valve installation, dismantling joint is recommended.

**Asteknik Valve Type :** 5010  
**Valve Type :** Dismantling Joint  
**DN/ANSI :** DN 80 - DN 3000 3" - 120"  
**Flange Connection :** PN 10, PN 16, PN 25, PN 40  
**Working Pressure :** PN 10, PN 16, PN 25, PN 40

Please contact us for other sizes, pressures and flange connections.



DN	PN 10 Flange						PN 16 Flange							
	b	ØD	ØD2	Ød	Øk	F	b	ØD	ØD2	Ød	Øk	F		
80	19	200	80	19	160	8	180	19	200	80	19	160	8	200
100	19	220	100	19	180	8	200	19	220	100	19	180	8	200
125	19	250	125	19	210	8	200	19	250	125	19	210	8	200
150	19	285	150	23	240	8	200	19	285	150	23	240	8	200
200	20	340	195	23	295	8	200	20	340	196	23	295	12	200
250	22	395	250	23	350	12	220	22	405	242	28	355	12	220
300	24.5	445	296	23	400	12	220	24.5	460	296	28	410	12	230
350	24.5	505	350	23	460	16	230	26.5	520	347	28	470	16	230
400	24.5	565	400	28	515	16	230	28	580	397	31	525	16	240
450	25.5	615	450	28	565	20	240	30	640	446	31	585	20	240
500	26.5	670	500	28	620	20	260	31.5	715	500	34	650	20	260
600	30	780	597	31	725	20	260	36	840	588	37	770	10	280
700	32.5	895	696	31	840	24	260	39.5	910	687	37	840	24	280
800	35	1015	800	34	950	24	290	43	1025	793	40	950	24	310
900	37.5	1122	900	34	1050	28	290	46.5	1125	900	40	1050	28	315
1000	40	1230	1000	37	1160	28	290	50	1255	990	43	1170	28	320
1100	42.5	1340	1100	37	1270	32	290	53.5	1355	1100	43	1270	32	320
1200	45	1455	1193	41	1380	32	320	57	1485	1180	49	1390	32	355
1300	45	1585	1300	44	1490	32	320	59	1585	1280	49	1490	32	360
1400	46	1675	1390	44	1590	36	330	60	1685	1370	49	1590	36	360
1500	47.5	1785	1500	44	1700	36	330	62.5	1820	1470	57	1710	36	390
1600	49	1915	1585	50	1820	40	360	65	1930	1585	56	1820	40	390
1700	52	2015	1700	48	1920	42	360	70	2065	1670	57	1950	42	390
1800	52	2115	1800	50	2020	44	360	70	2130	1770	56	2020	44	390
2000	55	2325	1985	50	2230	48	390	75	2345	1920	62	2230	48	420
2200	65	2555	2138	57	2440	52	450	80	2555	2108	62	2440	52	450
2400	65	2760	2350	57	2650	56	450	80	2770	2350	62	2650	56	460
2500	65	2860	2410	57	2750	56	450	85	2880	2410	62	2760	56	480
3000	75	3405	2900	62	3290	68	460	95	3525	2900	70	3330	56	480