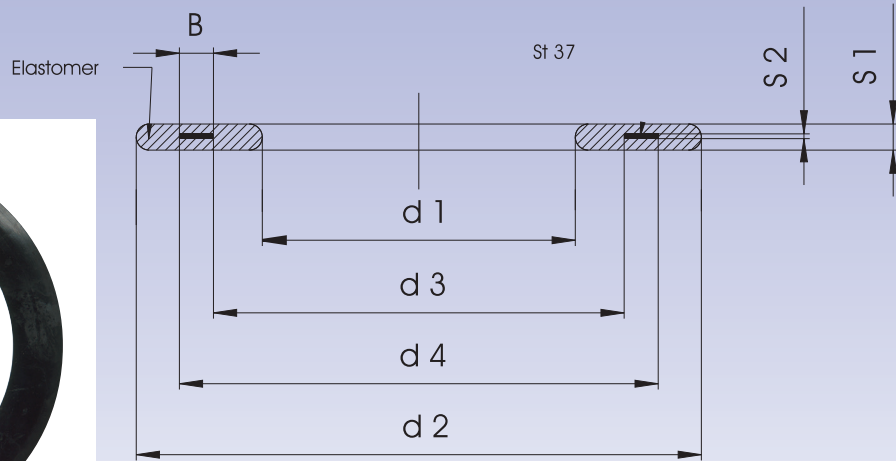




With its ethylene propylene based seat and deformation preventing steel ring, it is a long lasting sealing element. It can be used in the applications between the temperature of -40/+110°C by its asbestos free design.

Asteknik Valve Type : 8000
Valve Type : Steel reinforced elastomer gasket
DN/ANSI : DN 25-DN 2500 1" - 100"
Flange Connection : PN 10, PN 16
Standard : DIN 2690

Please contact us for other sizes, pressures and flange connections.



WORKING PRESSURE : PN 16
 STANDARD : DIN 2690
 GASKET STEEL SHEET (st 37)

WORKING PRESSURE : PN 10
 STANDARD : DIN 2690
 GASKET STEEL SHEET (st 37)

Tablo :D28

DN	d1	d2	S1	B	S2	d3	d4
25	35	70	4	5,5	1,0	45,0	56,0
32	43	82	4	8,0	1,0	55,0	71,0
40	49	92	4	8,0	1,0	58,0	74,0
50	61	107	4	8,0	1,0	72,0	88,0
65	77	127	4	8,5	1,0	86,0	103,0
80	90	142	4	10,0	1,0	104,0	124,0
100	115	162	5	10,5	1,0	123,0	142,0
125	141	192	5	11,5	1,0	153,0	176,0
150	169	218	5	11,5	1,0	176,0	199,0
200	220	273	6	10,0	1,5	236,5	256,5
250	274	330	6	10,0	1,5	292,0	312,0
300	325	385	6	10,0	1,5	345,0	365,0
350	368	445	7	10,0	1,5	396,5	416,5
400	420	497	7	10,0	1,5	448,5	468,5
450	470	557	7	16,0	2,0	497,5	529,5
500	520	618	7	16,0	2,0	553,0	585,0
600	620	735	7	16,0	2,0	661,5	693,5
700	720	805	8	16,0	2,0	746,5	778,5
800	820	910	8	16,0	2,0	849,0	881,0
900	920	1010	8	16,0	2,0	949,0	981,0
1000	1020	1125	8	16,0	2,0	1056,5	1088,5
1200	1220	1340	8	16,0	2,0	1264,0	1296,0
1400	1420	1545	8	20,0	3,0	1462,5	1502,5
1600	1620	1770	8	20,0	3,0	1675,0	1715,0
1800	1820	1970	8	30,0	3,0	1865,0	1925,0
2000	2020	2175	10	30,0	3,0	2066,5	2126,5
2200	2220	2384	10	30,0	3,0	2272	2332
2500	2520	2680	10	30,0	3,0	2570	2630

Tablo :D27

DN	d1	d2	S1	B	S2	d3	d4
25	35	70	4	5,5	1,0	45,0	56,0
32	43	82	4	8,0	1,0	55,0	71,0
40	49	92	4	8,0	1,0	58,0	74,0
50	61	107	4	8,0	1,0	72,0	88,0
65	77	127	4	8,5	1,0	86,0	103,0
80	90	142	4	10,0	1,0	104,0	124,0
100	115	162	5	10,5	1,0	123,0	142,0
125	141	192	5	11,5	1,0	153,0	176,0
150	169	218	5	11,5	1,0	176,0	199,0
200	220	273	6	10,0	1,5	236,5	256,5
250	274	330	6	10,0	1,5	292,0	312,0
300	325	385	6	10,0	1,5	345,0	365,0
350	368	445	7	10,0	1,5	396,5	416,5
400	420	497	7	10,0	1,5	448,5	468,5
450	470	557	7	16,0	2,0	497,5	529,5
500	520	595	7	16,0	2,0	541,5	573,5
600	620	695	7	16,0	2,0	641,5	673,5
700	720	805	8	16,0	2,0	746,5	778,5
800	820	910	8	16,0	2,0	849,0	881,0
900	920	1010	8	16,0	2,0	949,0	981,0
1000	1020	1125	8	16,0	2,0	1056,5	1088,5
1200	1220	1340	8	16,0	2,0	1264,0	1296,0
1400	1420	1545	8	20,0	3,0	1462,5	1502,5
1600	1620	1770	8	20,0	3,0	1675,0	1715,0
1800	1820	1970	8	30,0	3,0	1865,0	1925,0
2000	2020	2175	10	30,0	3,0	2066,5	2126,5
2200	2220	2384	10	30,0	3,0	2272	2332
2500	2520	2680	10	30,0	3,0	2570	2630

Subject to change without notice,
 Please contact us for other sizes.

REV : D 15.05.2014