

1520 HL



1520 PN+SB+NV

Subject to change without notice.  
Please contact us for other sizes and materials.

REV : 0

21.04.2010

### Part List & Material Specification

Ø 50 - 300

P.NO	PART NAME	MATERIAL
1	Body	GGG 40-50
1A	Body	GGG 40-50
2	Seat	PETAS
3	Disc	1.4408 (PETAS COATED)
4	Upper Stem	AISI 316
5	O-Ring	NBR
6	Lower Stem	AISI 316
7	Bolt	A2
8	Lower Cover	St 37
9	Bolt	A2
10	Setscrew	A2



## 1520 PETAS SEATED WAFER BUTTERFLY VALVE

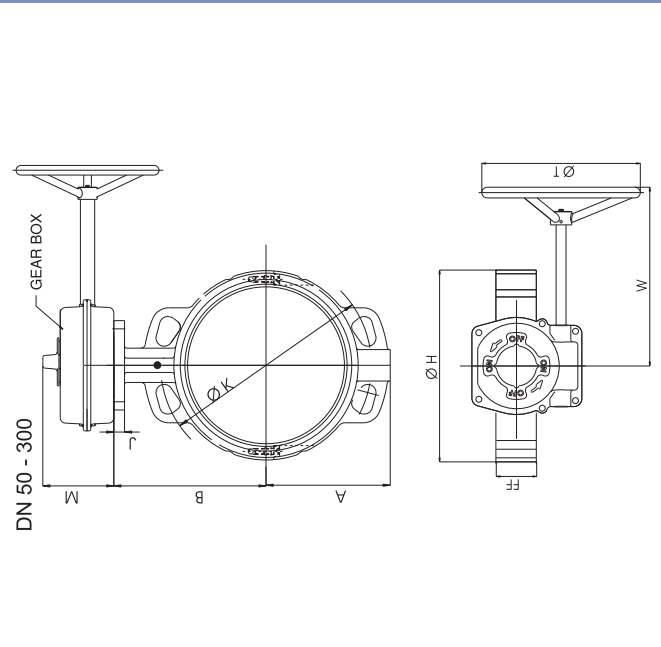
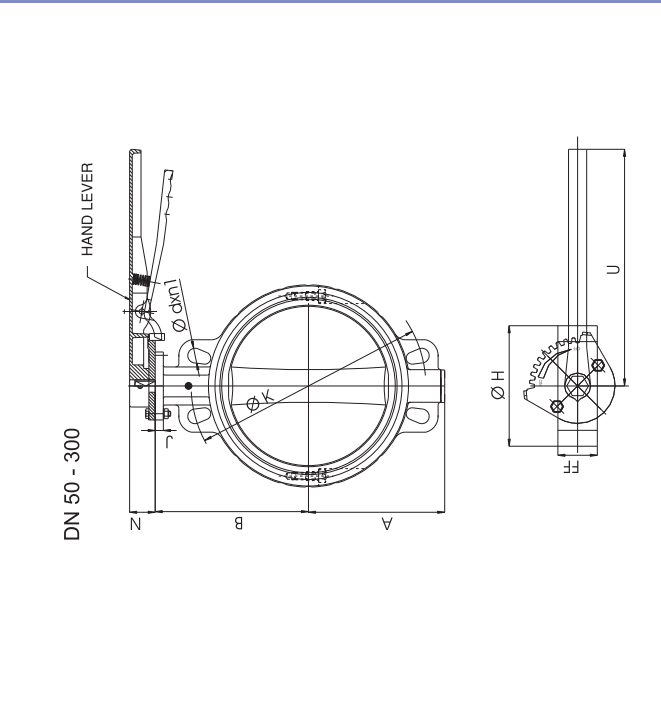
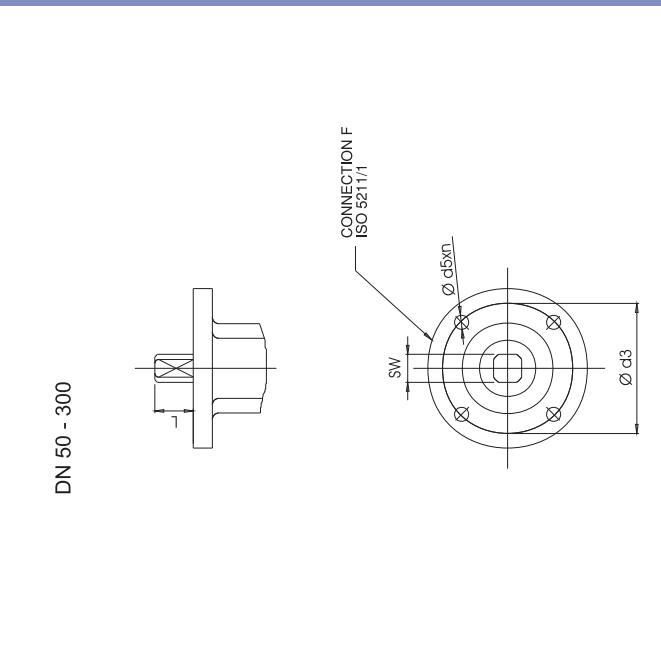
Type 1520 is a concentric polymer-PETAS seated butterfly valve, recommended to use for high abrasion resistance required medium types (ex: sand, cement, ash). PETAS reaches absolute abrasion resistance with its special polymer coated stainless steel disc and polymer seat and reduces the effects of mediums with particles. The 2 pieces split body design assures quick demontage and maintenance service.

<b>Asteknik Valve Type</b>	: 1520
<b>Valve Type</b>	: PETAS Seated Wafer Butterfly Valve
<b>DN/NPS</b>	: DN50-DN300 (2"- 12")
<b>Face to Face</b>	: EN 558 1/20
<b>Flange Connection</b>	: PN 10, PN 16, ANSI CL 150
<b>Working Pressure</b>	: 6 BARS
<b>Working Temperature</b>	: -10 °C +90 °C
<b>Top Flange</b>	: ISO 5211
<b>Marking</b>	: EN 19
<b>Test Standard</b>	: EN 12266 -1

Please contact us for other sizes, pressures and flange connections.

# ASTEKNİK 1520 PETAS

## Seated wafer butterfly valve dimensional drawing



DN	A	B	FF	ØH	J	M	N	U	W	ØT	F	Ød5xn	ØSW Ød7	L	Ød3	PN 10		PN 16		HAND LEVER		GEAR BOX	
																ØK	Ød	ØK	Ød	Type	Weight (kg)	Type	Weight (kg)
Ø 50	67	108	43	100	13	50	37	220	159	200	05	7x4	Ø 9	20	50	125	Ø 18	4	92-150	0.600	AST-20		
Ø 65	80	127	46	123	13	50	37	220	159	200	07	9x4	Ø 11	20	70	145	Ø 18	4	92-150		AST-20		
Ø 80	99	132	46	137	14	50	37	260	159	200	07	9x4	Ø 14	20	70	160	Ø 18	8	92-200	0.800	AST-20	2,900	
Ø 100	110	155	52	156	14	50	37	260	159	200	07	9x4	Ø 14	20	70	180	Ø 18	8	92-200		AST-20		
Ø 125	123	158	56	187	14	50	37	260	159	200	07	9x4	Ø 14	20	70	210	Ø 18	8	92-200		AST-20		
Ø 150	141	185	56	212	14	50	37	350	159	200	07	9x4	Ø 17	22	70	240	Ø 22	8	92-300	0.900	AST-20		
Ø 200	174	213	60	265	15	50	37	350	159	200	07	9x4	Ø 17	22	70	295	Ø 22	8	92-300		AST-20		
Ø 250	208	245	68	319	15	75	47	400	238	260	10	11x4	Ø 22	32	102	350	Ø 22	12	92-400	2.600	AST-30	8,220	
Ø 300	250	282	78	372	15	75	47	400	238	260	10	11x4	Ø 27	32	102	400	Ø 22	12	92-400		AST-30		