

1180 HL



1180

Subject to change without notice,
Please contact us for other sizes and materials.

REV : E

21.04.2010

Part List & Material Specification

Ø 25-600

| P.NO | PART NAME | MATERIAL | P.NO | PART NAME | MATERIAL |
|------|---------------------|---|------|---------------------|--------------|
| 1 | Body | GG 25, GGG 40-50,AISI 316,AISI 304 | 12 | Nut | 6.8, A-2 |
| 2 | Disc | GG 25,GGG 40-50, AISI 316, AISI 304,St 37 | 13 | Lower Packing Gland | GG 25 |
| 3 | Stem | AISI 316, AISI 420 | 14 | Washer | St-37, A-2 |
| 4 | Lower Stem | AISI 316, AISI 420 | 15 | Bolt | 8.8, A-2 |
| 5 | Upper Stem | AISI 316, AISI 420 | 16 | Stud | 8.8, A-2 |
| 6 | Bolt | 8.8, A-2 | 17 | Washer | St-37, A-2 |
| 7 | Bearing | GG 25 | 18 | Nut | 6.8, A-2 |
| 8 | Packing | Graphite | 19 | Connection Profile | Carbon Steel |
| 9 | Upper Packing Gland | GG 25 | 20 | Washer | St-37, A-2 |
| 10 | Stud | 8.8, A-2 | 21 | Bolt | 8.8, A-2 |
| 11 | Washer | St-37, A-2 | | | |



1180 G



1180 AIR SETTING VALVE

Type 1180 valve is used as an adjustment valve in the hot & cold air lines with its 95-98% leakage rate.

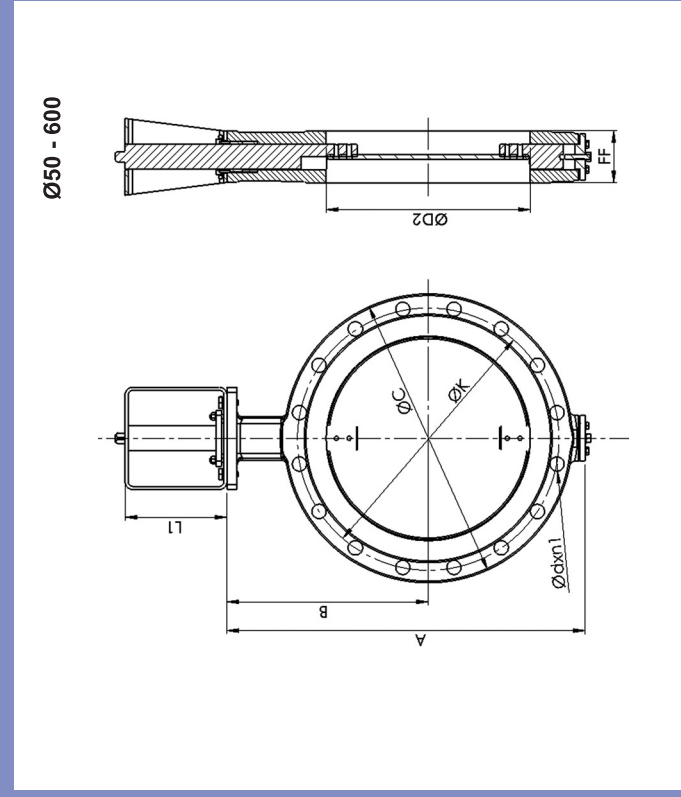
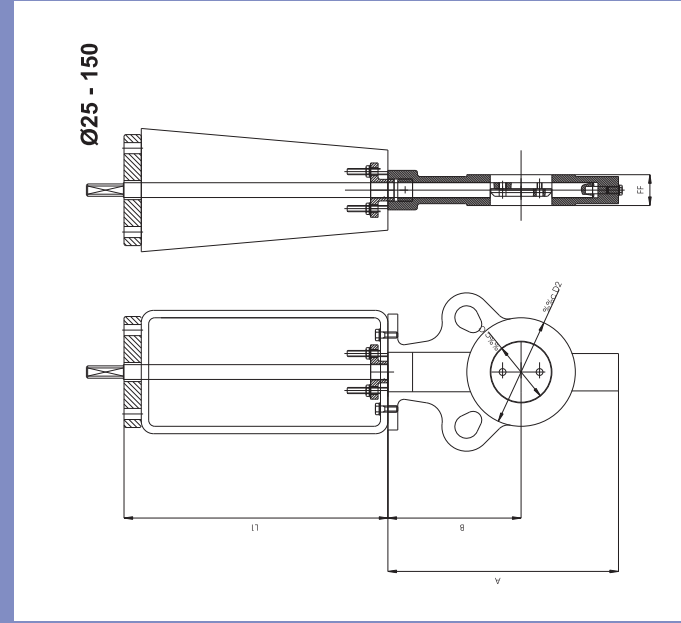
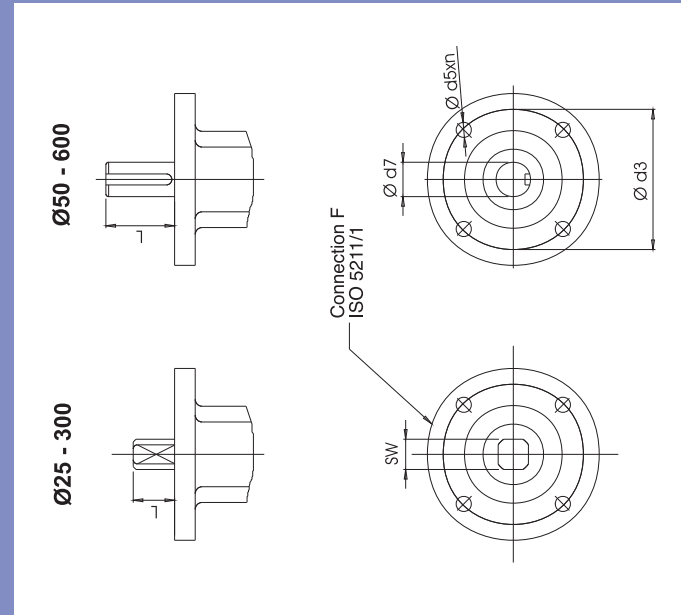
Asteknik Valve Type : 1180
Valve Type : Air setting valve
DN/ANSI : DN 25 - DN 600 1" - 24"
Flange Connection : PN 6, PN 10, PN 16
Top Flange : ISO 5211
Marking : EN 19
Face-to-Face : EN 558-1/20

Please contact us for other sizes, pressures and flange connections.



1180

Air setting valve dimensional drawing



| DN | A | B | C | D2 | SW Ø d7 | F | Ød3 | Ø d5x n | L | L1 | FF | PN 6 | | PN 10 | | FREE SHAFT Weight (kg) | | |
|-----|-----|-----|-----|-----|------------|----|-----|---------|----|-----|----|------|-----|-------|-----|---------------------------|----|-------|
| | | | | | | | | | | | | Ø K | Ø d | Ø K | Ø d | | | |
| 25 | 114 | 75 | 60 | 25 | 9 | 07 | 70 | 9x4 | 20 | 200 | 25 | 75 | 11 | 4 | 85 | 19 | 4 | - |
| 32 | 140 | 80 | 67 | 32 | 9 | 07 | 70 | 9x4 | 20 | 200 | 25 | 90 | 14 | 4 | 100 | 19 | 4 | - |
| 40 | 175 | 103 | 76 | 40 | 9 | 07 | 70 | 9x4 | 20 | 200 | 25 | 100 | 14 | 4 | 110 | 19 | 4 | 2.0 |
| 50 | 187 | 108 | 85 | 50 | 9 | 07 | 70 | 9x4 | 20 | 200 | 25 | 110 | 14 | 4 | 125 | 19 | 4 | 2.0 |
| 65 | 219 | 129 | 108 | 65 | 11 | 07 | 70 | 9x4 | 20 | 200 | 26 | 130 | 14 | 4 | 145 | 19 | 4 | 4.22 |
| 80 | 213 | 135 | 124 | 80 | 14 | 07 | 70 | 9x4 | 20 | 200 | 30 | 150 | 19 | 4 | 160 | 19 | 8 | 5.1 |
| 100 | 266 | 161 | 144 | 100 | 14 | 07 | 70 | 9x4 | 20 | 200 | 30 | 170 | 19 | 4 | 180 | 19 | 8 | 5.54 |
| 125 | 266 | 161 | 175 | 125 | 14 | 07 | 70 | 9x4 | 22 | 200 | 35 | 200 | 19 | 8 | 210 | 19 | 8 | 9.0 |
| 150 | 316 | 185 | 200 | 150 | 17 | 07 | 70 | 9x4 | 22 | 200 | 40 | 225 | 19 | 8 | 240 | 23 | 8 | 11.0 |
| 200 | 370 | 215 | 256 | 200 | 17 | 07 | 70 | 9x4 | 22 | 200 | 40 | 280 | 19 | 8 | 295 | 23 | 8 | 12.5 |
| 250 | 435 | 245 | 309 | 250 | 22 | 10 | 102 | 11x4 | 32 | 200 | 45 | 335 | 19 | 12 | 350 | 23 | 12 | 20.0 |
| 300 | 494 | 282 | 363 | 300 | 22 | 10 | 102 | 11x4 | 32 | 200 | 45 | 395 | 23 | 12 | 400 | 23 | 12 | 26.0 |
| 350 | 570 | 316 | 413 | 350 | 30 | 10 | 102 | 11x4 | 45 | 200 | 55 | 445 | 23 | 12 | 460 | 23 | 16 | 37.0 |
| 400 | 633 | 347 | 463 | 400 | 30 | 10 | 102 | 11x4 | 45 | 200 | 55 | 495 | 23 | 16 | 515 | 28 | 16 | 53.0 |
| 450 | 685 | 375 | 518 | 450 | 30 | 10 | 102 | 11x4 | 45 | 200 | 60 | 550 | 23 | 16 | 565 | 28 | 20 | 80.0 |
| 500 | 708 | 359 | 568 | 500 | 30 | 10 | 102 | 11x4 | 45 | 200 | 60 | 600 | 23 | 20 | 620 | 28 | 20 | 118.0 |
| 600 | 854 | 467 | 668 | 600 | 36 | 10 | 102 | 11x4 | 45 | 200 | 61 | 705 | 28 | 20 | 725 | 31 | 20 | 125.0 |