

Subject to change without notice,  
Please contact us for other sizes and materials.

REV : F

17.03.2014

## Part List & Material Specification

### Ø 50 - 200

| P.NO | PART NAME | MATERIAL  |
|------|-----------|---|
| 1    | Body      | GG 25, GGG 40-50, GGG 40.3, Al-Bz, AISI 316, GS-C25 |
| 2    | Body seat | EPDM, NBR, Viton, Hypalon, Neopren, NR, Silicone    |
| 3    | Disc      | AISI 316, Al-Bz, GGG 40-50, GS-C25, UB 6            |
| 4    | Stem      | AISI 304, AISI 316, AISI 420                        |
| 5    | Bearing   | SB (Carbon Steel + PTFE)                            |
| 6    | O-Ring    | NBR   |
| 7    | Washer    | St-37, A-2  |
| 8    | Bolt      | 8.8, A-2  |

### Ø 250 - 300

| P.NO | PART NAME   | MATERIAL  |
|------|-------------|---|
| 1    | Body        | GG 25, GGG 40-50, GGG 40.3, Al-Bz, AISI 316, GS-C25 |
| 2    | Body seat   | EPDM, NBR, Viton, Hypalon, Neopren, NR, Silicone    |
| 3    | Disc        | AISI 316, Al-Bz, GGG 40-50, GS-C25, UB 6            |
| 4    | Stem        | AISI 304, AISI 316, AISI 420                        |
| 5    | Bearing     | SB (Carbon Steel + PTFE)                            |
| 6    | O-Ring      | NBR   |
| 7    | Washer      | St-37, A-2  |
| 8    | Bolt        | 8.8, A-2  |
| 9    | Bearing     | SB (Carbon Steel + PTFE)                            |
| 10   | Lower Cover | St-37   |
| 11   | Bolt        | 8.8, A-2  |

### Ø 350 - 600

| P.NO | PART NAME       | MATERIAL  |
|------|-----------------|---|
| 1    | Body            | GG 25, GGG 40-50, GGG 40.3, Al-Bz, AISI 316, GS-C25 |
| 2    | Body seat       | EPDM, NBR, Viton, Hypalon, Neopren, NR, Silicone    |
| 3    | Disc            | AISI 316, Al-Bz, GGG 40-50, GS-C25, UB 6            |
| 4    | Key             | C 45 k  |
| 5    | Upper stem      | AISI 304, AISI 316, AISI 420                        |
| 6    | Connecting stud | AISI 304, AISI 316, AISI 420                        |
| 7    | Lower stem      | AISI 304, AISI 316, AISI 420                        |
| 8    | Washer          | St-37, A-2  |
| 9    | Nut             | 6.8, A-2  |
| 10   | Bearing         | SB (Carbon Steel + PTFE)                            |
| 11   | O-ring          | EPDM, NBR   |
| 12   | Upper cover     | C 45  |
| 13   | Lower cover     | C 45  |
| 14   | Bolt            | 8.8, A-2  |
| 15   | Key             | C 45 k  |



## 1150 LUG TYPE BUTTERFLY VALVE

1150 Lug Type through holes butterfly valve is used in all general purpose operations also can be used as a stopper and tap for discharging at the ends of pipe lines. As a difference from wafer type (1120) butterfly valve, it provides installation convenience to the line flange or easy uninstallation of the line behind the valve with its lugs.

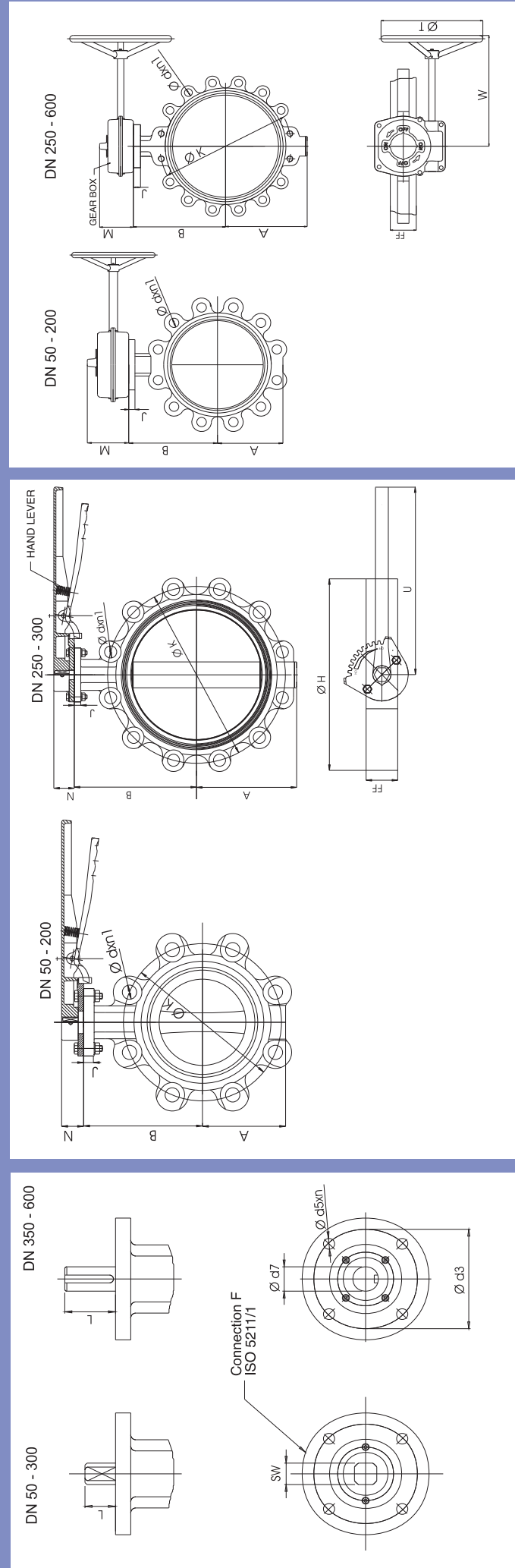
|                                   |                                      |
|-----------------------------------|--------------------------------------|
| <b>Asteknik Valve Type</b>        | :1150                                |
| <b>Valve Type</b>                 | : Lug Type (Through Holes)           |
| <b>Butterfly valve DN/ANSI:</b>   | DN 50- DN 600 2" - 24"               |
| <b>Working Pressure</b>           | : PN 6, PN 10                        |
| <b>Flange Connection</b>          | : PN 6, PN 10, PN 16, ANSI<br>CL 150 |
| <b>Top Flange Marking</b>         | : ISO 5211                           |
| <b>Face-to-Face Test Standard</b> | : EN 558-1/20<br>: EN 12266-1        |

Please contact us for other sizes, pressures and flange connections.



# 1150

## Lug type butterfly valve (Through Holes) dimensional drawing



| DN    | A   | B   | FF  | Ø H | J  | M   | N  | U   | W   | Ø T | F  | Ø d5xn | Ø SW<br>Ø d7 | L  | Ø d3 | PN 10 |      | PN 16 |     | FREE SHAFT |     | HAND LEVER |        | GEAR BOX    |        |             |
|-------|-----|-----|-----|-----|----|-----|----|-----|-----|-----|----|--------|--------------|----|------|-------|------|-------|-----|------------|-----|------------|--------|-------------|--------|-------------|
|       |     |     |     |     |    |     |    |     |     |     |    |        |              |    |      | Ø K   | Ø d  | n1    | n1  | Ø K        | Ø d | n1         | Type   | Weight (kg) | Type   | Weight (kg) |
| Ø 50  | 61  | 108 | 43  | 130 | 13 | 50  | 37 | 220 | 159 | 200 | 07 | 9x4    | Ø 9          | 20 | 70   | 125   | Ø 18 | 4     | 125 | Ø 18       | 4   | 3.5        | 92-150 | 0.600       | AST-20 | 2,900       |
| Ø 65  | 73  | 127 | 46  | 154 | 13 | 50  | 37 | 220 | 159 | 200 | 07 | 9x4    | Ø 11         | 20 | 70   | 145   | Ø 18 | 4     | 145 | Ø 18       | 4   | 4.0        | 92-150 | 0.600       | AST-20 | 2,900       |
| Ø 80  | 88  | 132 | 46  | 188 | 14 | 50  | 37 | 260 | 159 | 200 | 07 | 9x4    | Ø 14         | 20 | 70   | 160   | Ø 18 | 8     | 160 | Ø 18       | 8   | 5.5        | 92-200 | 0.800       | AST-20 | 2,900       |
| Ø 100 | 99  | 155 | 52  | 218 | 14 | 50  | 37 | 260 | 159 | 200 | 07 | 9x4    | Ø 14         | 20 | 70   | 180   | Ø 18 | 8     | 180 | Ø 18       | 8   | 7.0        | 92-200 | 0.800       | AST-20 | 2,900       |
| Ø 125 | 108 | 160 | 56  | 234 | 14 | 50  | 37 | 260 | 159 | 200 | 07 | 9x4    | Ø 14         | 20 | 70   | 210   | Ø 18 | 8     | 210 | Ø 18       | 8   | 8.0        | 92-200 | 0.900       | AST-20 | 2,900       |
| Ø 150 | 131 | 185 | 56  | 268 | 14 | 50  | 37 | 350 | 159 | 200 | 07 | 9x4    | Ø 17         | 22 | 70   | 240   | Ø 22 | 8     | 240 | Ø 22       | 8   | 10.0       | 92-300 | 0.900       | AST-20 | 2,900       |
| Ø 200 | 157 | 213 | 60  | 317 | 15 | 50  | 37 | 350 | 159 | 200 | 07 | 9x4    | Ø 17         | 22 | 70   | 295   | Ø 22 | 8     | 295 | Ø 22       | 12  | 17.0       | 92-300 | 0.900       | AST-20 | 2,900       |
| Ø 250 | 190 | 245 | 68  | 393 | 15 | 75  | 47 | 400 | 238 | 260 | 10 | 11x4   | Ø 22         | 32 | 102  | 355   | Ø 26 | 12    | 355 | Ø 26       | 12  | 20.0       | 92-400 | 2.600       | AST-30 | 8,220       |
| Ø 300 | 218 | 282 | 78  | 446 | 15 | 75  | 47 | 400 | 238 | 260 | 10 | 11x4   | Ø 27         | 32 | 102  | 400   | Ø 22 | 12    | 410 | Ø 26       | 12  | 35.0       | 92-400 | 2.600       | AST-30 | 8,220       |
| Ø 350 | 300 | 318 | 78  | 513 | 28 | 102 | -  | -   | 315 | 400 | 14 | 17.5x4 | Ø 36         | 75 | 140  | 460   | Ø 22 | 16    | 470 | Ø 26       | 16  | 66.0       | -      | -           | AST-40 | 12,240      |
| Ø 400 | 326 | 362 | 102 | 570 | 28 | 102 | -  | -   | 315 | 400 | 14 | 17.5x4 | Ø 36         | 75 | 140  | 515   | Ø 26 | 16    | 525 | Ø 30       | 16  | 81.0       | -      | -           | AST-40 | 12,240      |
| Ø 450 | 364 | 410 | 114 | 632 | 26 | 102 | -  | -   | 315 | 400 | 16 | 22x4   | Ø 45         | 92 | 165  | 565   | Ø 26 | 20    | 585 | Ø 30       | 20  | 111.0      | -      | -           | AST-60 | 17,900      |
| Ø 500 | 408 | 435 | 127 | 667 | 26 | 102 | -  | -   | 315 | 550 | 16 | 22x4   | Ø 45         | 92 | 165  | 620   | Ø 26 | 20    | 650 | Ø 33       | 20  | 148.0      | -      | -           | AST-60 | 32,660      |
| Ø 600 | 482 | 519 | 154 | 768 | 26 | 102 | -  | -   | 315 | 600 | 16 | 22x4   | Ø 60         | 92 | 165  | 725   | Ø 30 | 20    | 770 | Ø 36       | 20  | 225.0      | -      | -           | AST-80 | 45,000      |