

Subject to change without notice,
Please contact us for other sizes and materials.

REV : 8

30.06.2015

Part List & Material Specification

Ø50-300

| P.NO | PART NAME | MATERIAL |
|------|------------------|-----------------|
| 1 | Body | GGG 40-50 |
| 1A | Body | GGG 40-50 |
| 2 | Body | GGG 40-50 |
| 2A | Body | GGG 40-50 |
| 3 | Thrust collar | AISI 316 |
| 4 | O-Ring | Viton |
| 5 | Elastomer insert | Silicone, Viton |
| 6 | O-Ring | Viton |
| 7 | Seat | PTFE |
| 8 | Disc | AISI 316 |
| 8A | Disc + Stem | AISI 316 + PTFE |

| P.NO | PART NAME | MATERIAL |
|------|-------------|----------|
| 9 | Upper stem | AISI 316 |
| 10 | Bearing | PTFE |
| 11 | Bolt | A-2 |
| 12 | O-Ring | Viton |
| 13 | Bearing | PTFE |
| 14 | Washer | St 37 |
| 15 | Bolt | A-2 |
| 16 | Lower stem | AISI 316 |
| 16A | Lower stem | AISI 316 |
| 17 | Lower cover | St 37 |
| 18 | Bolt | A-2 |




1320-1340 PTFE SEATED BUTTERFLY VALVE 1321-1341 PTFE DISC BUTTERFLY VALVE

PTFE Seated butterfly valve is offered with 2 alternatives; wafer (1320) and lug (1340) design for services where common elastomers are not suitable, such as chemical, pharmaceutical and food industry. The 2 pieces split body design, silicon or viton rubber backing assures the tightness. For the mediums which are not suitable for AISI 316/1.4408 disc material, 3mm PTFE coated disc material option can be used.

Asteknik Valve Type : 1320 / 1321 Wafer type PTFE seated butterfly valve, 1340 / 1341 Lug type PTFE seated butterfly valve

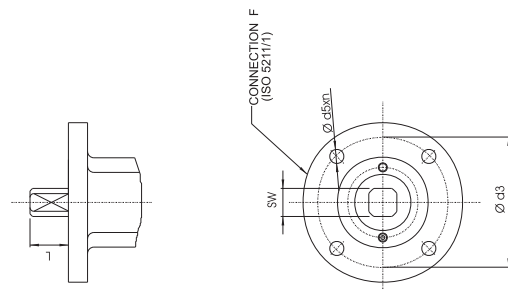
DN/ANSI : DN 50 - DN 300 2" - 12"
Working Pressure : 6-8 bars
Temperature : -15 °C + 200 °C
Flange Connection : PN 10, PN 16
Top Flange : ISO 5211
Marking : EN 19
Face-to-Face : EN 558-1/20
Test Standard : EN 12266-1

Please contact us for other sizes, pressures and flange connections.

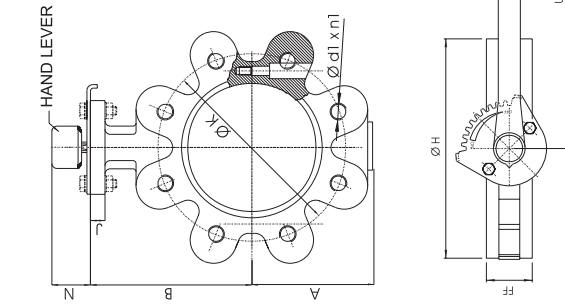

**1320-1321
1340-1341**

Wafer / Lug type PTFE seated butterfly valve dimensional drawing

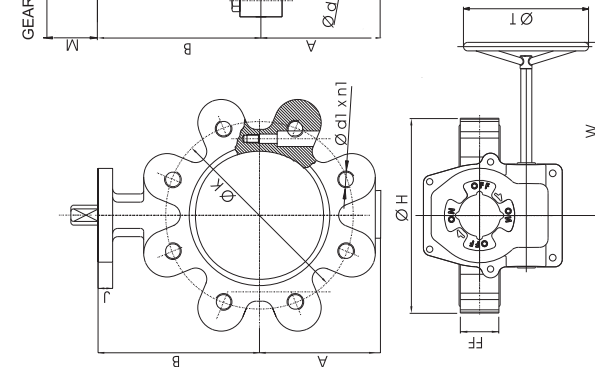
DN 50 - 300



DN 50 - 300



DN 50 - 300



| DN | 1320-1321 | | 1340-1341 | | FF | Ø H | | J | M | N | U | W | Ø T | F | Ø d5xn | □ SW | L | Ø d3 | PN 10 | | | PN 16 | | | HAND LEVER Type | HAND LEVER Weight (kg) | FREE SHAFT Weight (kg) | | | GEAR BOX PN 10 - 16 | | | |
|-------|-----------|-----|-----------|-----|----|-----------|-----------|----|----|----|-----|-----|-----|----|--------|------|----|------|-------|------|------|-------|------|------|--------------------|---------------------------|------------------------|-------------|-----------|------------------------|--------|-------------|-------|
| | A | B | A | B | | Ø K | Ø d | | | | | | | | | | | | Ø d1 | n1 | Ø K | Ø d | Ø d1 | n1 | | | Type | Weight (kg) | 1320-1321 | 1340-1341 | Type | Weight (kg) | |
| Ø 50 | 75 | 116 | 64 | 108 | 45 | 1340-1341 | 1320-1321 | 13 | 50 | 37 | 220 | 159 | 200 | 05 | 7x4 | □ 11 | 20 | 50 | 125 | Ø 19 | M 16 | 4 | 125 | Ø 19 | M 16 | 4 | 92-150 | 0.600 | 3.300 | 4.000 | AST-20 | 2,900 | 8,220 |
| Ø 65 | 80 | 117 | 80 | 122 | 45 | | | 13 | 50 | 37 | 220 | 159 | 200 | 07 | 9x4 | □ 11 | 20 | 70 | 145 | Ø 19 | M 16 | 4 | 145 | Ø 19 | M 16 | 4 | 92-150 | | 4.800 | 5.500 | AST-20 | | |
| Ø 80 | 100 | 132 | 97 | 132 | 46 | | | 14 | 50 | 37 | 260 | 159 | 200 | 07 | 9x4 | □ 14 | 20 | 70 | 160 | Ø 19 | M 16 | 8 | 160 | Ø 19 | M 16 | 8 | 92-200 | 0.800 | 5.000 | 7.400 | AST-20 | | |
| Ø 100 | 112 | 155 | 112 | 155 | 52 | | | 14 | 50 | 37 | 260 | 159 | 200 | 07 | 9x4 | □ 14 | 20 | 70 | 180 | Ø 19 | M 16 | 8 | 180 | Ø 19 | M 16 | 8 | 92-200 | | 6.500 | 9.000 | AST-20 | | |
| Ø 125 | 123 | 158 | 123 | 158 | 56 | | | 14 | 50 | 37 | 260 | 159 | 200 | 07 | 9x4 | □ 14 | 20 | 70 | 210 | Ø 19 | M 16 | 8 | 210 | Ø 19 | M 16 | 8 | 92-200 | | 8.000 | 9.500 | AST-20 | | |
| Ø 150 | 138 | 185 | 136 | 185 | 56 | | | 14 | 50 | 37 | 350 | 159 | 200 | 07 | 9x4 | □ 17 | 22 | 70 | 240 | Ø 23 | M 20 | 8 | 240 | Ø 23 | M 20 | 8 | 92-300 | 0.900 | 9.500 | 14.500 | AST-20 | | |
| Ø 200 | 176 | 213 | 162 | 213 | 60 | | | 15 | 50 | 37 | 350 | 159 | 200 | 07 | 9x4 | □ 22 | 32 | 70 | 295 | Ø 23 | M 20 | 8 | 295 | Ø 23 | M 20 | 12 | 92-300 | | 14.000 | 20.000 | AST-20 | | |
| Ø 250 | 207 | 245 | 202 | 245 | 68 | | | 15 | 75 | 47 | 400 | 238 | 260 | 10 | 11x4 | □ 22 | 32 | 102 | 350 | Ø 23 | M 20 | 12 | 355 | Ø 28 | M 24 | 12 | 92-400 | 2.600 | 27.000 | 32.000 | AST-30 | | |
| Ø 300 | 243 | 282 | 228 | 282 | 78 | | | 15 | 75 | 47 | 400 | 238 | 260 | 10 | 11x4 | □ 27 | 32 | 102 | 400 | Ø 23 | M 20 | 12 | 410 | Ø 28 | M 24 | 12 | 92-400 | | 35.000 | 42.500 | AST-30 | | |