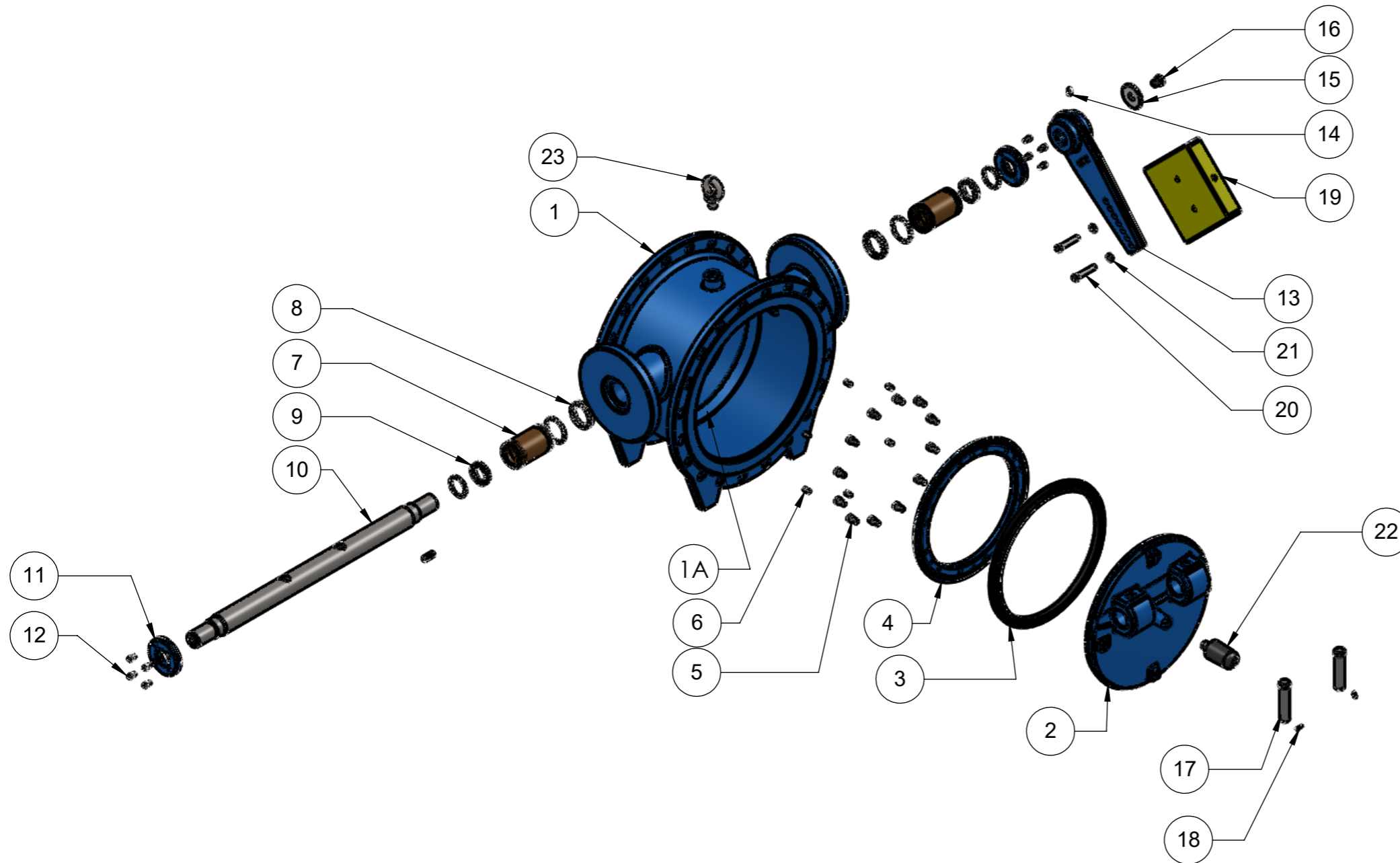


ASTEKNİK 4010

CHECKVALVE PART LIST



Ø 100 - 2000 Part List & Material Specification

P. NO	PART NAME	MATERIAL
1	Body	GGG 40-50
1A	Body Seat	Stainless Steel With Welding
2	Disc	GGG 40-50
3	Disc Seat	EPDM-NBR
4	Retaining Ring	St37, AISI 304, AISI 316
5	Bolt	A2 Stainless Steel
6	Setscrew	A2 Stainless Steel
7	Front - Back Bushing	G-SnBz10 (Bronze), Delrin
8	O-ring	NBR
9	O-ring	NBR
10	Shaft	1.4021 Stainless Steel
11	Front - Back Cover	St 37 Carbon Steel
12	Bolt	8.8 Electro Galvanized
13	Lever	GGG 50
14	Setscrew	8.8 Electro Galvanized
15	Washer	Ç 1050
16	Bolt	8.8 Electro Galvanized
17	Pin	1.4021 Stainless Steel
18	Cutter Pin	A2 Stainless Steel
19	Weight	St 37 Carbon Steel
20	Bolt	8.8 Electro Galvanized
21	Washer	St 37 Electro Galvanized
22	Stoper	EPDM
23	Eye Bolt	A105