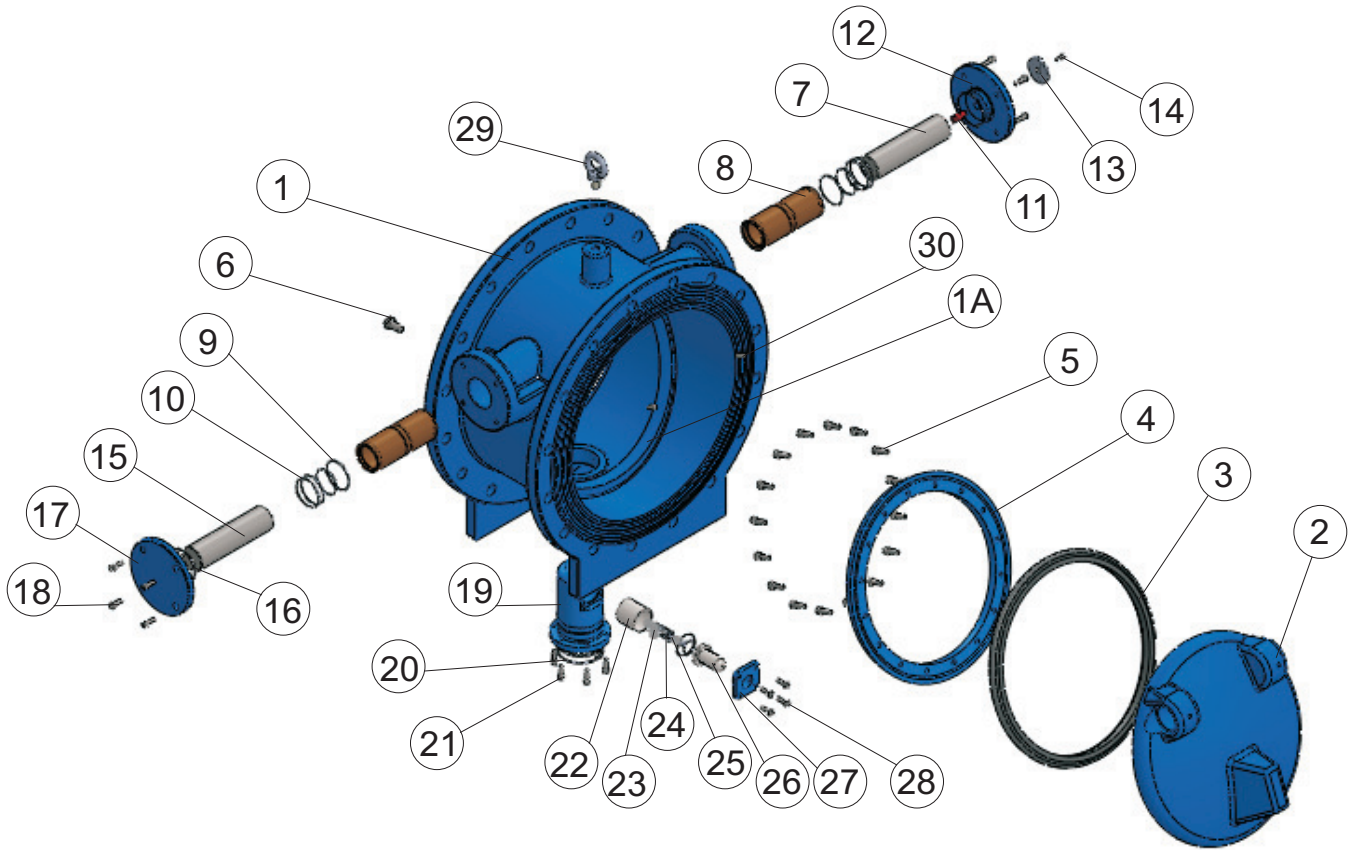
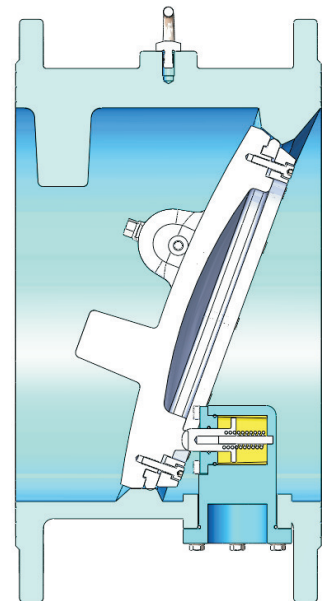


# AV<sup>®</sup> 4020S SLANTED SEAT CHECK VALVE PARTS LIST



## Ø 200 - 1200 Parts List & Material Specification

P.NO	PART NAME	MATERIAL
1	Body	GGG 40-50
1A	Body Seat	Stainless Steel With Welding
2	Disc	GGG 40-50
3	Disc Seat	NBR, EPDM
4	Retaining Ring	St 37, AISI 304, AISI 316
5	Bolt	A2
6	Bolt	A2
7	Front Shaft	1.4021
8	Front - Back Bushing	Bronze
9	O-ring	NBR
10	O-ring	NBR
11	Shaft	Ç 1050
12	Front Cover	St 37
13	Position Indicator	Ç 1050
14	Bolt	A2
15	Back Shaft	1.4021
16	O-ring	NBR
17	Back Cover	St 37
18	Bolt	8.8
19	Hydraulic Brake	Ç 1050 (optional)
20	O-ring	NBR
21	Bolt	8.8
22	Bushing	Ç 1050
23	Spring Steel	A2
24	Shaft	St 37
25	O-ring	NBR
26	Pusher	Ç 1050
27	Cover	St 37
28	Bolt	A2
29	Eye Bolt	A 105
30	Setscrew	A2



(Damper Working System)