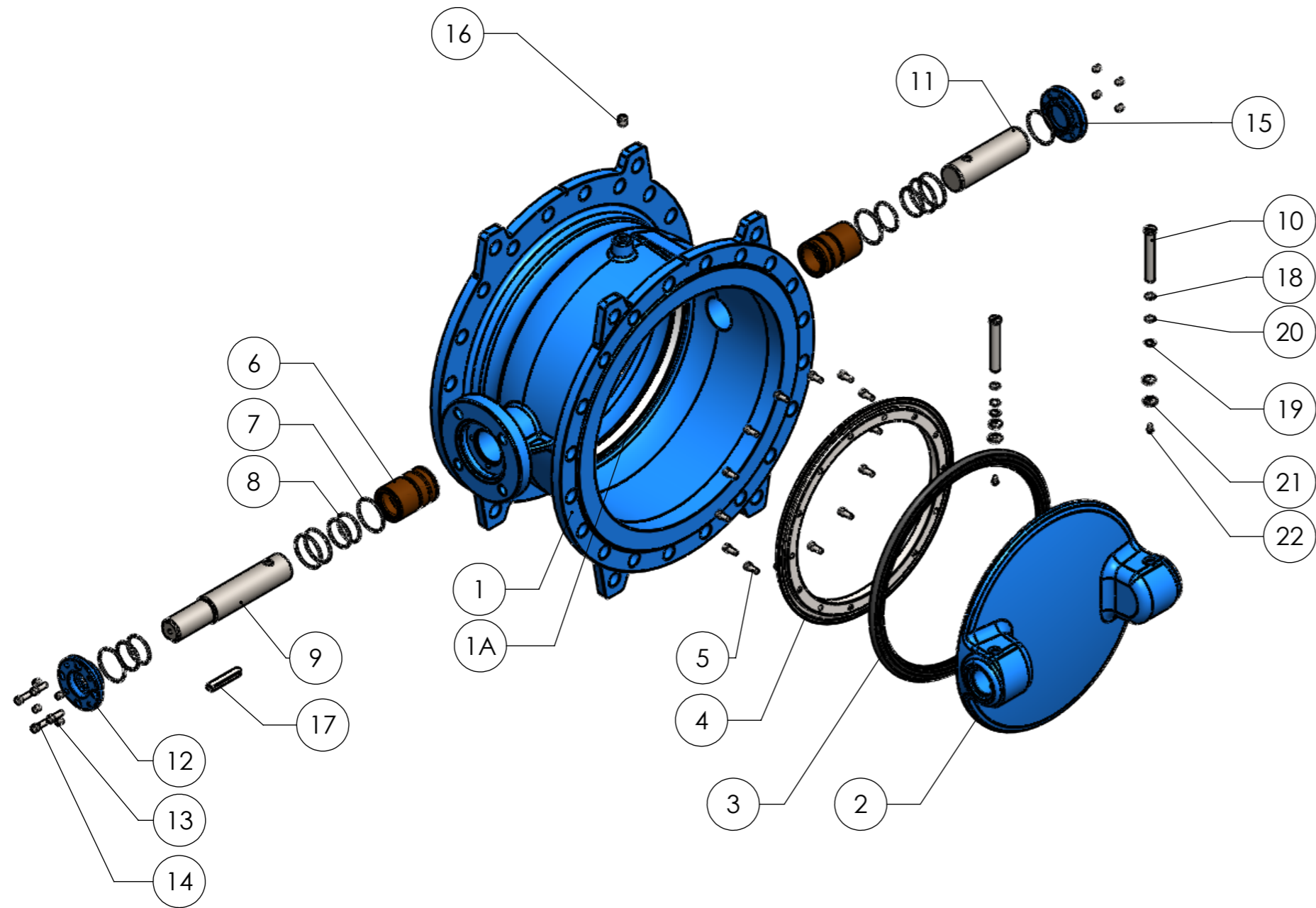


AV[®] ASTEKNİK 2010 BUTTERFLY VALVE PARTS LIST



Ø 100 - 3000 Parts List & Material Specification

P.NO	PART NAME	MATERIAL
1	Body	GGG 40-50, A216WCB
1A	Body Seat	Stainless Steel With Welding
2	Disc	GGG 40-50, 1.4308, 1.4408
3	Disc Seat	EPDM
4	Retaining Ring	St-37,AISI 304, AISI 316
5	Bolt	A2 Stainless Steel
6	Front - Back Bushing	CuSn12, RG5
7	O-ring	EPDM
8	O-ring	EPDM
9	Front Shaft	1.4021, 1.4057, 1.4462
10	Pin	1.4021, 1.4057, 1.4462
11	Back Shaft	1.4021, 1.4057, 1.4462
12	Front Cover	St 37, GGG 50
13	Setscrew	8.8 Electro Galvanized
14	Bolt	8.8 Electro Galvanized
15	Back Cover	St 37, GGG 50
16	Setscrew	8.8 Electro Galvanized
17	Key	C 45 K
18	O-ring	EPDM
19	Circlip	A2 Stainless Steel
20	O-ring	EPDM
21	Washer	A2 Stainless Steel
22	Bolt	A2 Stainless Steel