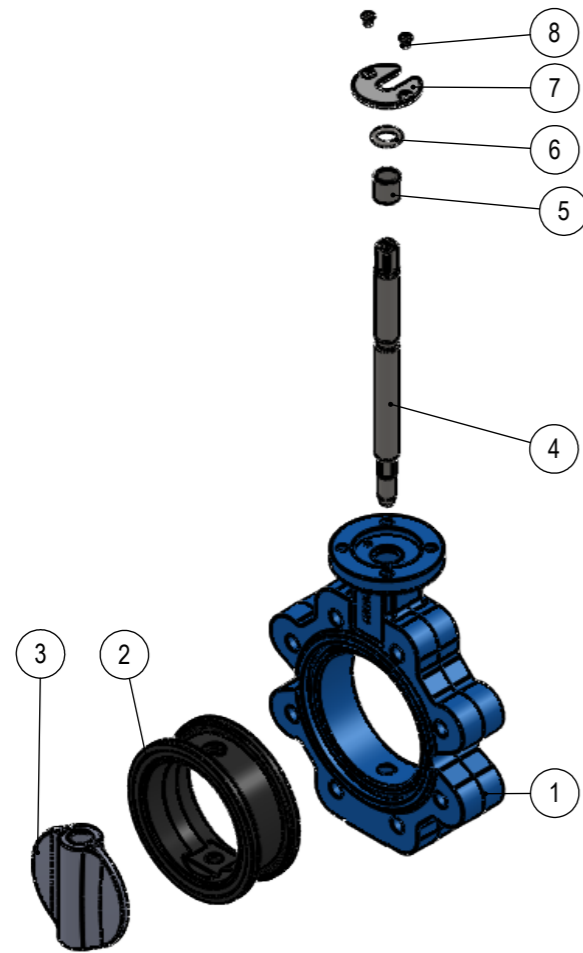


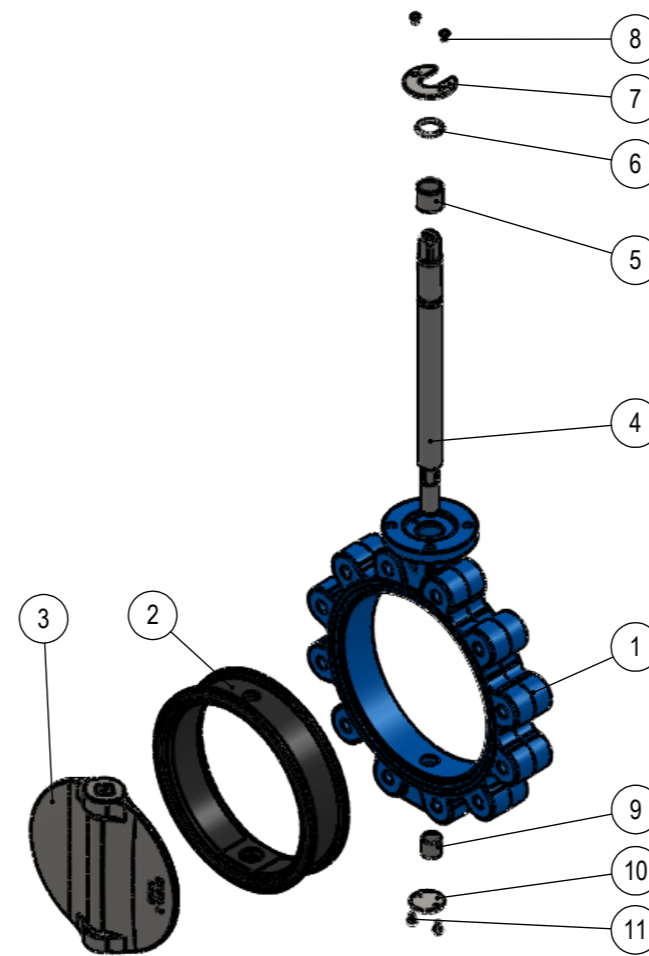
ASTEKNIK 1140

LUG TYPE (THREADED) BUTTERFLY VALVE



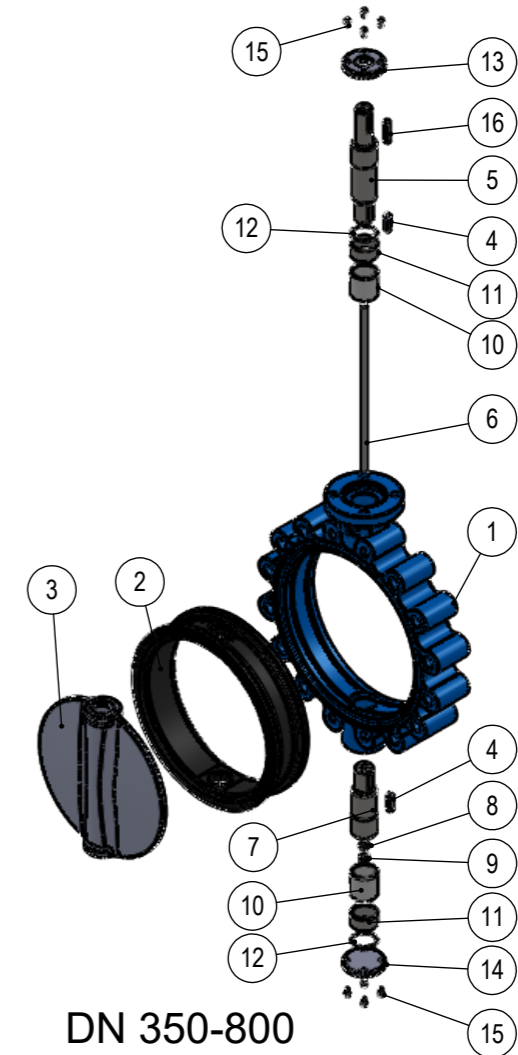
DN 40-200

P.NO	PART NAME	MATERIAL
1	Body	GGG 50, GGG 40.3, Al-Bz, AISI 316, WCB
2	Body Seat	EPDM, NBR, Viton, Neoprene, NR, Silicone
3	Disc	AISI 316, Al-Bz, GGG 50, 1.4462
4	Stem	1.4021, 1.4462
5	Bearing	SB (Carbon Steel+PTFE)
6	O-ring	NBR
7	Washer	St-37, A2
8	Bolt	8.8 ElectroGalvanized, A2



DN 250-300

P.NO	PART NAME	MATERIAL
1	Body	GGG 50, GGG 40.3, Al-Bz, AISI 316, WCB
2	Body Seat	EPDM, NBR, Viton, Neoprene, NR, Silicone
3	Disc	AISI 316, Al-Bz, GGG 50, 1.4462
4	Stem	1.4021, 1.4462
5	Bearing	SB (Carbon Steel+PTFE)
6	O-Ring	NBR
7	Washer	St-37, A-2
8	Bolt	8.8 ElectroGalvanized, A2
9	Bearing	SB (Carbon Steel+PTFE)
10	Lower cover	St-37
11	Bolt	8.8 ElectroGalvanized, A2



DN 350-800

P.NO	PART NAME	MATERIAL
1	Body	GGG 50, GGG 40.3, Al-Bz, AISI 316, WCB
2	Body Seat	EPDM, NBR, Viton, Neoprene, NR, Silicone
3	Disc	AISI 316, Al-Bz, GGG 50, 1.4462
4	Key	C 45 K
5	Upper Stem	1.4021, 1.4462
6	Connecting Stud	1.4021, 1.4462
7	Lower stem	1.4021, 1.4462
8	Washer	A-2
9	Nut	A-2
10	Bearing	SB (Carbon Steel+PTFE)
11	Bearing	SB (Carbon Steel+PTFE)
12	O-Ring	EPDM, NBR
13	Upper cover	C 45
14	Lower cover	C 45
15	Bolt	8.8 ElectroGalvanized, A-2
16	Key	C 45 K