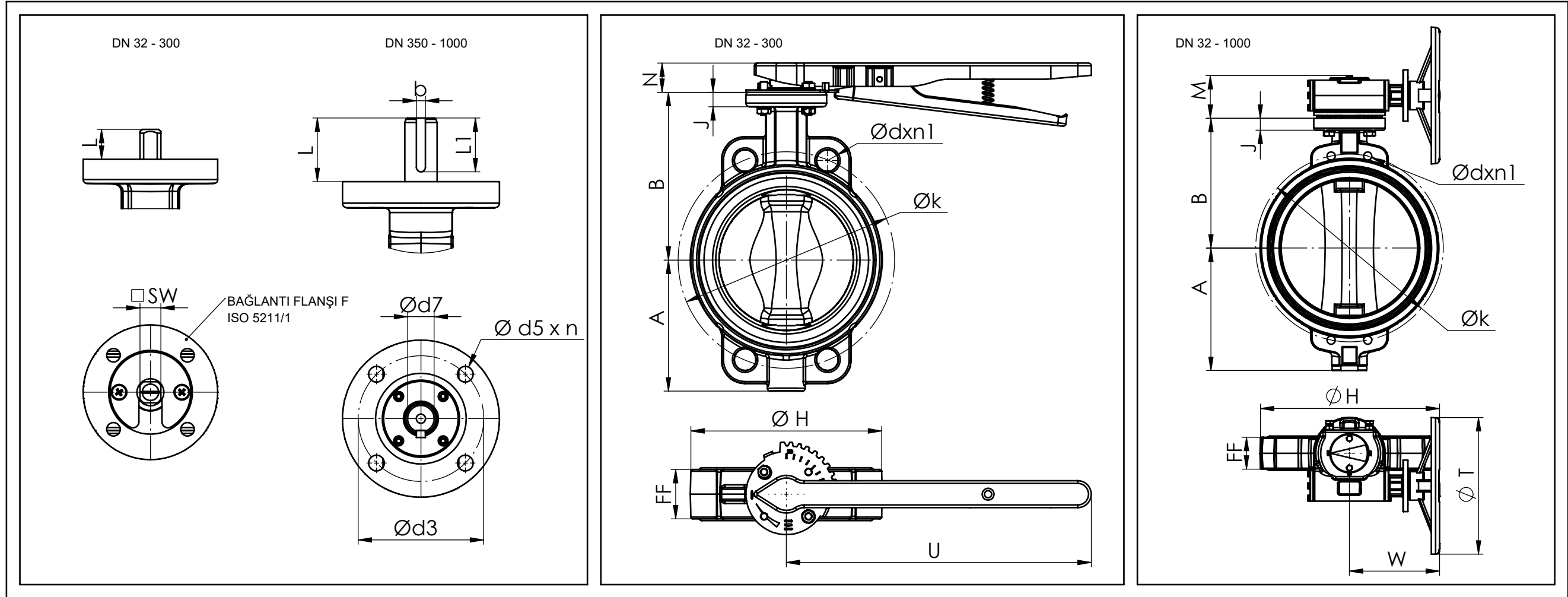


ASTEKNIK 1120 WAFER KELEBEK VANA ÖLÇÜ TABLOSU



DN	A	B	FF	Ø H	J	M	N	U	W	Ø T	F	Ød5xn	□ SW Ø d7	L	Ø d3	PN 10			PN 16			MİL ÇIKIŞLI Ağırlık (kg)	KOL		DİŞLİ KUTU			
																Ø k	Ø d	n1	Ø k	Ø d	n1		Ağırlık (kg)	Tip	Ağırlık (kg)	PN 10		PN 16
Ø 32	62	99	40	87	14	76	37	220	159	125	05	7x4	□ 9	13	50	100	Ø 19	4	100	Ø 19	4	2.4	92.150	0.6	93.050	93.050	93.050	93.050
Ø 40	62	99	40	87	14	76	37	220	159	125	05	7x4	□ 9	13	50	110	Ø 19	4	110	Ø 19	4	2.4	92.150	0.6	93.050	93.050	93.050	93.050
Ø 50	67	110	43	100	14	76	37	220	159	125	05	7x4	□ 9	13	50	125	Ø 19	4	125	Ø 19	4	2.5	92-150	0.6	93.050	93.050	93.050	93.050
Ø 65	80	129	46	123	16	76	37	220	159	125	07	9x4	□ 11	13	70	145	Ø 19	4	145	Ø 19	4	3.8	92-150	0.6	93.050	93.050	93.050	93.050
Ø 80	99	134	46	137	16	76	37	220	159	125	07	9x4	□ 11	15	70	160	Ø 19	8	160	Ø 19	8	4.1	92-150	0.6	93.050	93.050	93.050	93.050
Ø 100	110	157	52	156	16	76	37	260	159	125	07	9x4	□ 14	15	70	180	Ø 19	8	180	Ø 19	8	5.3	92-200	0.8	93.050	93.050	93.050	93.050
Ø 125	123	160	56	187	16	76	37	260	159	125	07	9x4	□ 14	15	70	210	Ø 19	8	210	Ø 19	8	6.5	92-200	0.8	93.050	93.050	93.050	93.050
Ø 150	141	187	56	212	16	76	37	350	159	160	07	9x4	□ 17	18	70	240	Ø 23	8	240	Ø 23	8	8.0	92-300	0.9	93.050	93.050	93.050	93.050
Ø 200	174	205	60	265	16	76	37	350	159	160	07	9x4	□ 17	18	70	295	Ø 23	8	295	Ø 23	12	12.5	92-300	0.9	93.050	93.050	93.050	93.050
Ø 250	208	245	68	319	16	81	47	400	238	200	10	11x4	□ 22	22	102	350	Ø 23	12	355	Ø 28	12	20.5	92-400	2.6	93.125	93.125	93.125	93.125
Ø 300	250	282	78	372	16	81	47	400	238	230	10	11x4	□ 27	27	102	400	Ø 23	12	410	Ø 28	12	30.0	92-400	2.6	93.125	93.125	93.125	93.125
Ø 350	300	318	78 / 92	436	28	117	-	-	315	335	14	17.5x4	Ø 36	75	140	460	M 20	16	470	M 24	16	52.0	-	-	93.260	93.260	93.260	93.260
Ø 400	326	362	102	492	28	117	-	-	315	335	14	17.5x4	Ø 36	75	140	515	M 24	16	525	M 27	16	80.0	-	-	93.260	93.260	93.260	93.260
Ø 450	365	410	114	540	26	120	-	-	315	400	16	22x4	Ø 45	92	165	565	M 24	20	585	M 27	20	102.0	-	-	93.350	93.350	93.350	93.350
Ø 500	408	435	127	600	26	142	-	-	315	400	16	22x4	Ø 45	92	165	620	M 24	20	650	M 30	20	128.0	-	-	93.450	93.450	93.450	93.450
Ø 600	482	519	154	700	26	142	-	-	315	400	16	22x4	Ø 60	92	165	725	M 27	20	770	M 33	20	190.0	-	-	93.450	93.450	93.450	93.450
Ø 700	543	548	165	775	30	142	-	-	414	400	25	18x8	Ø 68	118	254	840	M 27	24	840	M 33	24	235.0	-	-	93.450	93.450	93.450	93.450
Ø 800	587	587	180 / 190	885	30	157	-	-	414	400	25	22x8	Ø 80	118	254	950	M 30	24	950	M 36	24	362.0	-	-	93.550	93.550	93.550	93.550
Ø 900	655	661	190 / 203	1010	35	214	-	-	525	600	30	22x8	Ø 80	200	298	1050	M 30	28	1050	M 36	28	513.0	-	-	93.550	93.550	93.600	93.600
Ø 1000	735	725	216	1110	35	225	-	-	525	600	30	22x8	Ø 100	200	298	1160	M 33	28	1170	M 39	28	660.0	-	-	93.550	93.550	93.650	93.650

Firmamızın ölçülerde değişiklik yapma hakkı saklıdır,
Diğer ölçüler ve malzeme çeşitleri için üreticiye başvurunuz.
Parça No: 37 - 4373

REV:Y

16.01.2024