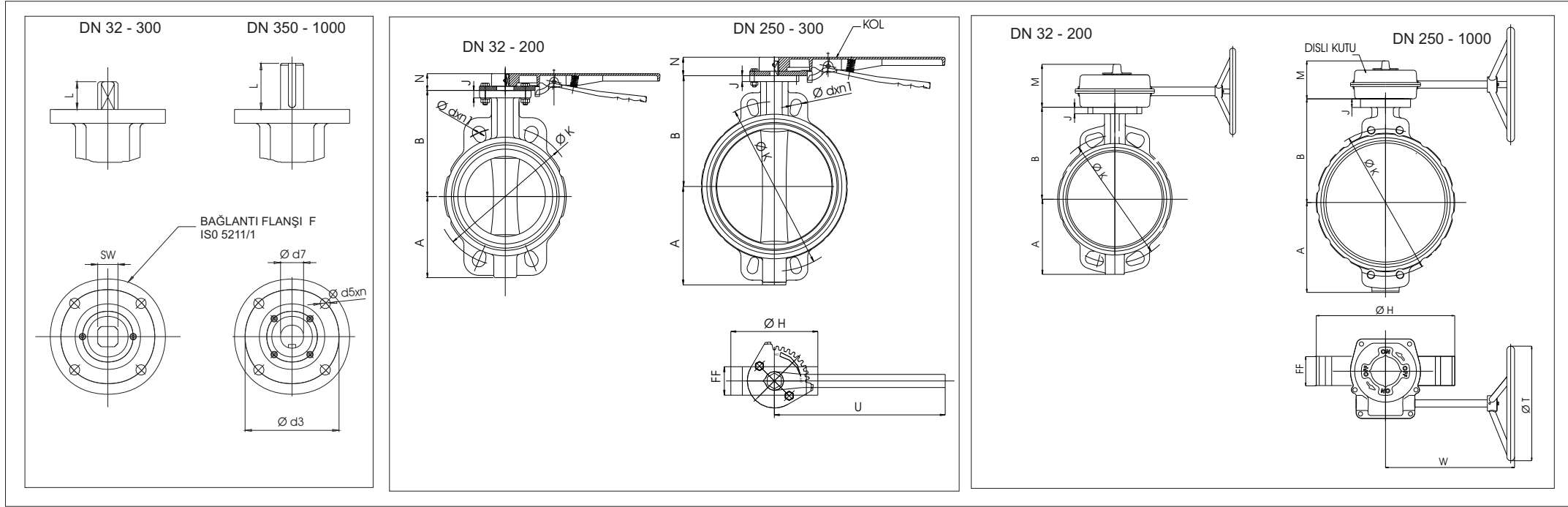




1120 WAFER KELEBEK VANA ÖLÇÜ LİSTESİ



| DN | A | B | FF | Ø H | J | M | N | U | W | Ø T | F | Ø d5xn | □ SW Ø d7 | L | Ø d3 | PN 10 | | | PN 16 | | | MİL ÇIKIŞLI Ağırlık (kg) | KOL | | DIŞLI KUTU | | | |
|--------|-----|-----|-----------|------|----|-----|----|-----|-----|-----|----|--------|--------------|-----|------|-------|--------------|-----|--------------|------|--------------|-----------------------------|--------------|--------------|---------------|-----------|---------------|---------|
| | | | | | | | | | | | | | | | | Ø K | Ø d | n1 | Ø K | Ø d | n1 | | Tip | Ağırlık (kg) | PN 10 | | PN 16 | |
| | | | | | | | | | | | | | | | | Tip | Ağırlık (kg) | Tip | Ağırlık (kg) | Tip | Ağırlık (kg) | Tip | Ağırlık (kg) | | | | | |
| Ø 32 | 62 | 96 | 40 | 87 | 13 | 50 | 37 | 220 | 159 | 200 | 05 | 7x4 | □ 9 | 20 | 50 | 100 | Ø 18 | 4 | 100 | Ø 18 | 4 | 2.4 | 92.150 | AST-20 | AST-20 | AST-20 | AST-20 | |
| Ø 40 | 62 | 96 | 40 | 87 | 13 | 50 | 37 | 220 | 159 | 200 | 05 | 7x4 | □ 9 | 20 | 50 | 110 | Ø 18 | 4 | 110 | Ø 18 | 4 | 2.4 | 92.150 | AST-20 | AST-20 | AST-20 | AST-20 | |
| Ø 50 | 67 | 108 | 43 | 100 | 13 | 50 | 37 | 220 | 159 | 200 | 05 | 7x4 | □ 9 | 20 | 50 | 125 | Ø 18 | 4 | 125 | Ø 18 | 4 | 2.5 | 92-150 | AST-20 | AST-20 | AST-20 | AST-20 | |
| Ø 65 | 80 | 127 | 46 | 123 | 13 | 50 | 37 | 220 | 159 | 200 | 07 | 9x4 | □ 11 | 20 | 70 | 145 | Ø 18 | 4 | 145 | Ø 18 | 4 | 3.8 | 92-150 | AST-20 | AST-20 | AST-20 | AST-20 | |
| Ø 80 | 99 | 132 | 46 | 137 | 14 | 50 | 37 | 260 | 159 | 200 | 07 | 9x4 | □ 14 | 20 | 70 | 160 | Ø 18 | 8 | 160 | Ø 18 | 8 | 4.1 | 92-200 | AST-20 | AST-20 | AST-20 | AST-20 | |
| Ø 100 | 110 | 155 | 52 | 156 | 14 | 50 | 37 | 260 | 159 | 200 | 07 | 9x4 | □ 14 | 20 | 70 | 180 | Ø 18 | 8 | 180 | Ø 18 | 8 | 5.3 | 92-200 | AST-20 | AST-20 | AST-20 | AST-20 | |
| Ø 125 | 123 | 158 | 56 | 187 | 14 | 50 | 37 | 260 | 159 | 200 | 07 | 9x4 | □ 14 | 20 | 70 | 210 | Ø 18 | 8 | 210 | Ø 18 | 8 | 6.5 | 92-200 | AST-20 | AST-20 | AST-20 | AST-20 | |
| Ø 150 | 141 | 185 | 56 | 212 | 14 | 50 | 37 | 350 | 159 | 200 | 07 | 9x4 | □ 17 | 22 | 70 | 240 | Ø 22 | 8 | 240 | Ø 22 | 8 | 8.0 | 92-300 | AST-20 | AST-20 | AST-20 | AST-20 | |
| Ø 200 | 174 | 213 | 60 | 265 | 15 | 50 | 37 | 350 | 159 | 200 | 07 | 9x4 | □ 17 | 22 | 70 | 295 | Ø 22 | 8 | 295 | Ø 22 | 12 | 12.5 | 92-300 | AST-20 | AST-20 | AST-20 | AST-20 | |
| Ø 250 | 208 | 245 | 68 | 319 | 15 | 75 | 47 | 400 | 238 | 260 | 10 | 11x4 | □ 22 | 32 | 102 | 350 | Ø 22 | 12 | 355 | Ø 26 | 12 | 20.5 | 92-400 | AST-30 | AST-30 | AST-30 | AST-30 | |
| Ø 300 | 250 | 282 | 78 | 372 | 15 | 75 | 47 | 400 | 238 | 260 | 10 | 11x4 | □ 27 | 32 | 102 | 400 | Ø 22 | 12 | 410 | Ø 26 | 12 | 30.0 | 92-400 | AST-30 | AST-30 | AST-30 | AST-30 | |
| Ø 350 | 300 | 318 | 78 / 92 | 436 | 28 | 102 | - | - | 315 | 400 | 14 | 17.5x4 | Ø 36 | 75 | 140 | 460 | M 20 | 16 | 470 | M 24 | 16 | 52.0 | - | - | AST-40 | AST-40 | AST-40 | 12,240 |
| Ø 400 | 326 | 362 | 102 | 492 | 28 | 102 | - | - | 315 | 400 | 14 | 17.5x4 | Ø 36 | 75 | 140 | 515 | M 24 | 16 | 525 | M 27 | 16 | 80.0 | - | - | AST-40 | AST-60 | AST-60 | 17,900 |
| Ø 450 | 365 | 410 | 114 | 540 | 26 | 102 | - | - | 315 | 400 | 16 | 22x4 | Ø 45 | 92 | 165 | 565 | M 24 | 20 | 585 | M 27 | 20 | 102.0 | - | - | AST-60 | AST-80 | AST-80 | 32,660 |
| Ø 500 | 408 | 435 | 127 | 600 | 26 | 102 | - | - | 315 | 550 | 16 | 22x4 | Ø 45 | 92 | 165 | 620 | M 24 | 20 | 650 | M 30 | 20 | 128.0 | - | - | AST-60 | AST-80 | AST-80 | 32,660 |
| Ø 600 | 482 | 519 | 154 | 700 | 26 | 102 | - | - | 315 | 600 | 16 | 22x4 | Ø 60 | 92 | 165 | 725 | M 27 | 20 | 770 | M 33 | 20 | 190.0 | - | - | AST-80 | AB1950NHR | AB1950NHR | 45,000 |
| Ø 700 | 543 | 548 | 165 | 775 | 30 | 135 | - | - | 414 | 700 | 25 | 18x8 | Ø 68 | 118 | 254 | 840 | M 27 | 24 | 840 | M 33 | 24 | 235.0 | - | - | AB1950NHR | 45,000 | AB6800NLT/SP4 | 70,000 |
| Ø 800 | 587 | 587 | 180 / 190 | 885 | 30 | 135 | - | - | 414 | 800 | 25 | 18x8 | Ø 80 | 118 | 254 | 950 | M 30 | 24 | 950 | M 36 | 24 | 362.0 | - | - | AB6800NLT/SP4 | 70,000 | AB6800NLT/SP4 | 70,000 |
| Ø 900 | 655 | 661 | 190 / 203 | 1010 | 35 | 225 | - | - | 525 | 550 | 30 | 22x8 | Ø 80 | 200 | 298 | 1050 | M 30 | 28 | 1050 | M 36 | 28 | 513.0 | - | - | AB6800N/SP4 | 70,000 | AB6800N/SP6 | 81,000 |
| Ø 1000 | 735 | 725 | 216 | 1110 | 35 | 225 | - | - | 525 | 550 | 30 | 22x8 | Ø 100 | 200 | 298 | 1160 | M 33 | 28 | 1170 | M 39 | 28 | 660.0 | - | - | AB6800N/SP6 | 81,000 | A250N/SP9 | 225,000 |