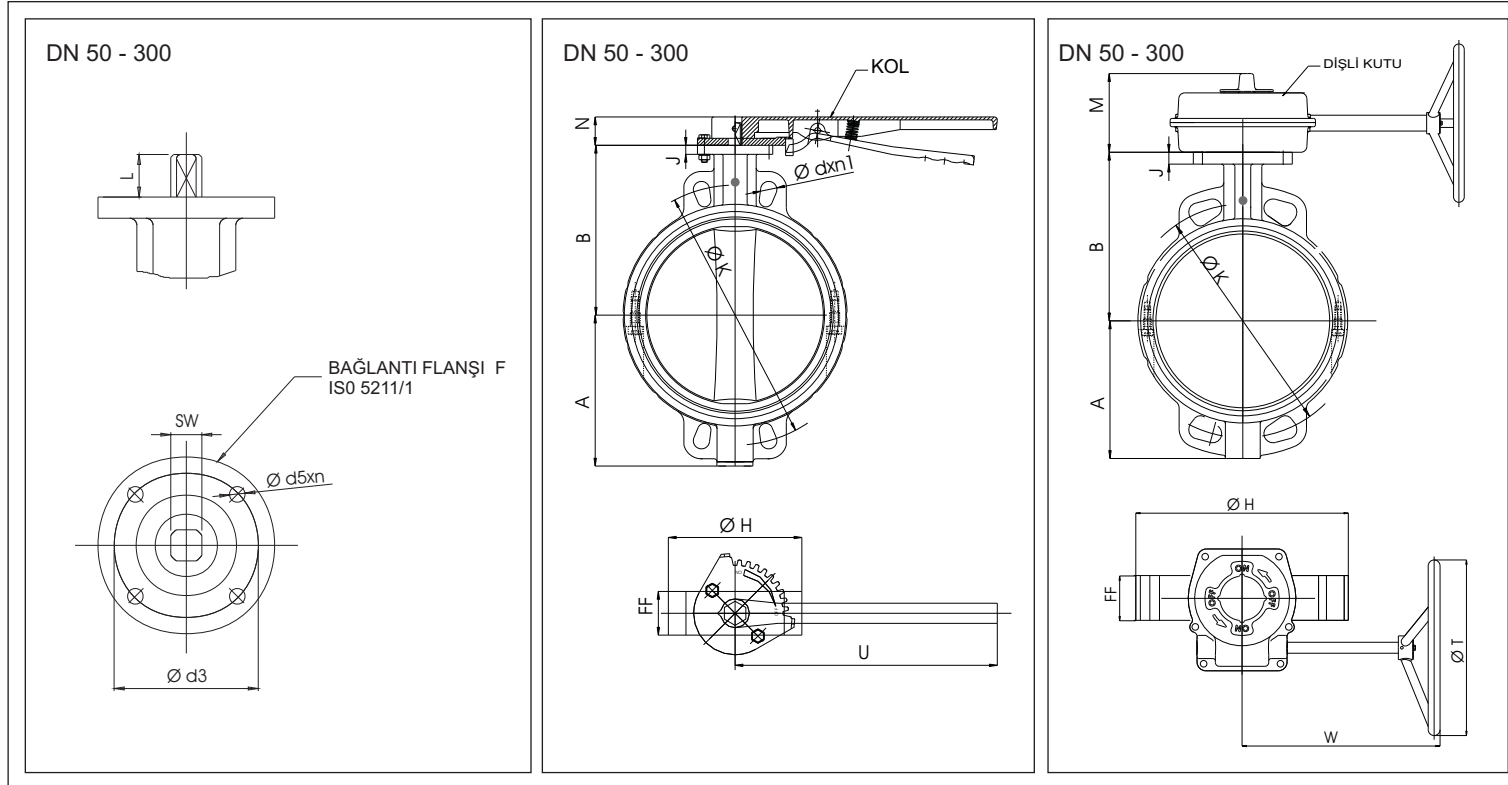


# AV<sup>®</sup> 1520 WAFER KELEBEK VANA ÖLÇÜ LİSTESİ



DN	A	B	FF	Ø H	J	M	N	U	W	Ø T	F	Ø d5xn	□ SW Ø d7	L	Ø d3	PN 10			PN 16			MİL ÇIKIŞLI Ağırlık (kg)	KOL		DİŞLİ KUTU	
																Ø K	Ø d	n1	Ø K	Ø d	n1		Tip	Ağırlık (kg)	Tip	Ağırlık (kg)
Ø 50	67	108	43	100	13	50	37	220	159	200	05	7x4	□ 9	20	50	125	Ø 18	4	125	Ø 18	4	3,0	92-150	AST-20	2,900	
Ø 65	80	127	46	123	13	50	37	220	159	200	07	9x4	□ 11	20	70	145	Ø 18	4	145	Ø 18	4	5,0	92-150	AST-20		
Ø 80	99	132	46	137	14	50	37	260	159	200	07	9x4	□ 11	20	70	160	Ø 18	8	160	Ø 18	8	6,0	92-200	AST-20		
Ø 100	110	155	52	156	14	50	37	260	159	200	07	9x4	□ 11	20	70	180	Ø 18	8	180	Ø 18	8	7,0	92-200	AST-20		
Ø 125	123	158	56	187	14	50	37	260	159	200	07	9x4	□ 14	20	70	210	Ø 18	8	210	Ø 18	8	8,0	92-200	AST-20		
Ø 150	141	185	56	212	14	50	37	350	159	200	07	9x4	□ 14	22	70	240	Ø 22	8	240	Ø 22	8	9,0	92-300	AST-20		
Ø 200	174	213	60	265	15	50	37	350	159	200	07	9x4	□ 17	22	70	295	Ø 22	8	295	Ø 22	12	14,0	92-300	AST-20		
Ø 250	208	245	68	319	15	75	47	400	238	260	10	11x4	□ 22	32	102	350	Ø 22	12	355	Ø 26	12	25,0	92-400	AST-30		
Ø 300	250	282	78	372	15	75	47	400	238	260	10	11x4	□ 22	32	102	400	Ø 22	12	410	Ø 26	12	35,0	92-400	AST-30	8,22	