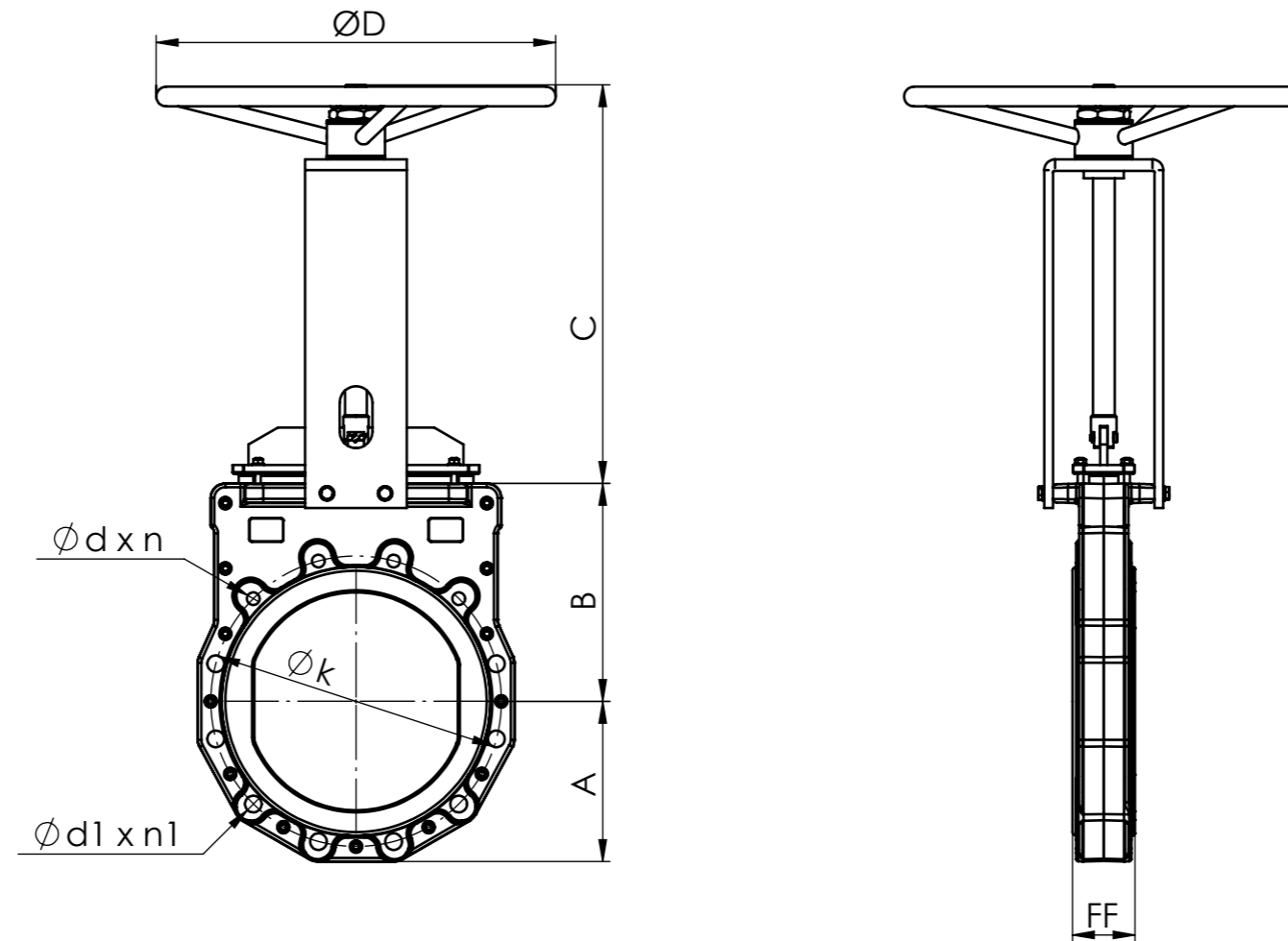


# ASTEKNIK 7300 RISING STEM KNIFE GATE VALVE DIMENSIONAL LIST



DN	A	B	C	ØD	FF	PN10		
						Øk	Ød(depth) x n	Ød1 x n1
50	75	116	220	315	43	125	M16 (10mm) x 2	Ø19 x 2
65	80	120	225	315	46	145	M16 (19mm) x 2	Ø19 x 2
80	95	142	227	315	46	160	M16 (19mm) x 2	Ø19 x 6
100	115	140	312	315	52	180	M16 (19mm) x 2	Ø19 x 6
125	118	152	450	315	56	210	M16 (19mm) x 2	Ø19 x 6
150	135	170	340	315	56	240	M20 (19mm) x 2	Ø23 x 6
200	165	215	475	400	60	295	M20 (20mm) x 2	Ø23 x 6
250	195	235	505	400	68	350	M20 (22mm) x 4	Ø23 x 8
300	221	300	555	550	78	400	M20 (24,5mm) x 4	Ø23 x 8
350	255	335	680	550	78	460	M20 (24,5mm) x 6	Ø23 x 10
400	284	400	745	700	102	515	M24 (24,5mm) x 6	Ø28 x 10
500	335	470	860	700	127	620	M24 (26,5mm) x 8	Ø28 x 12
600	385	558	965	700	154	725	M27 (30mm) x 8	Ø31 x 12
700	450	645	1085	800	165	840	M27 (32,5mm) x 10	Ø31 x 14
800	513	750	1170	700	190	950	M30 (35mm) x 24	-
1000	615	950	1625	1000	216	1160	M33 (40mm) x 12	Ø37 x 16
1200	730	1200	2300	1200	254	1380	M36 (45mm) x 12	Ø41 x 20

Subject to change without notice,  
Please contact us for other sizes and materials.  
Part No : 37 - 2302

REV:A

18.11.2022