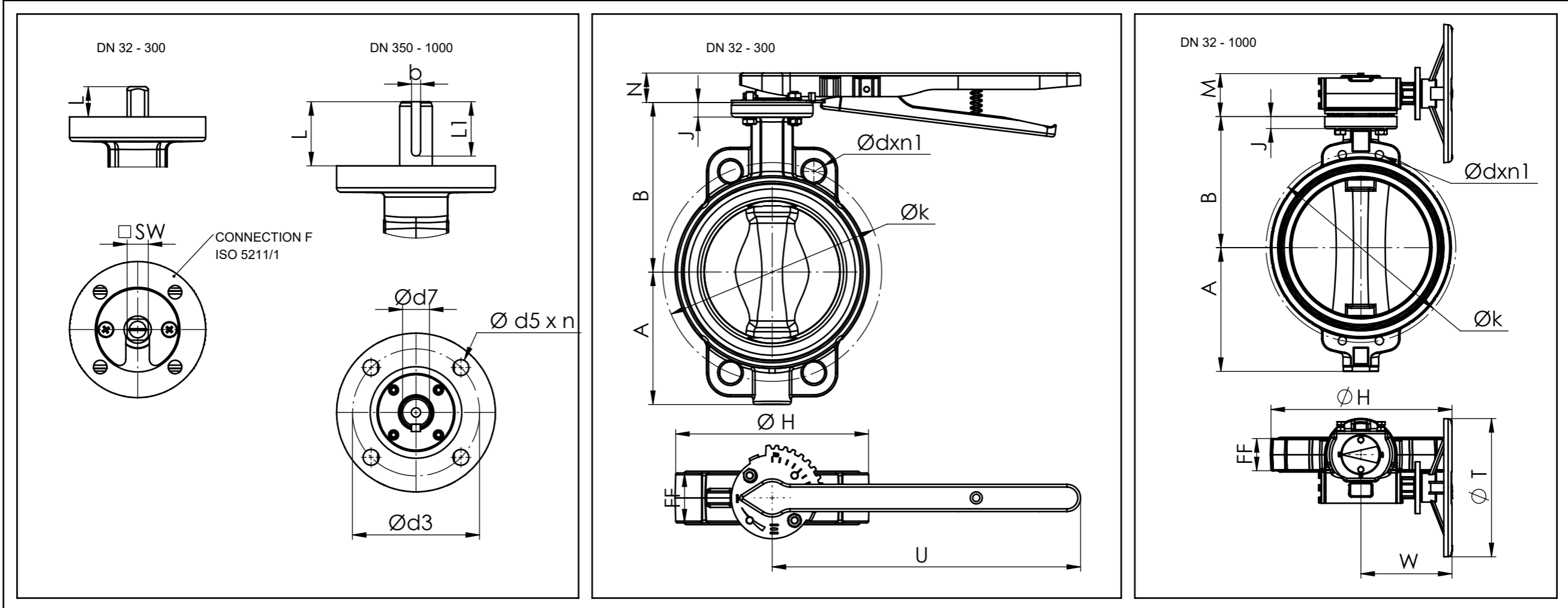


# ASTEKNIK 1120 WAFER BUTTERFLY VALVE DIMENSIONAL DRAWING



DN	A	B	FF	ØH	J	M	N	U	W	ØT	F	Ød5xn	□SW Ød7	L	Ød3	PN 10			PN 16			FREE SHAFT Weight (kg)	HAND LEVER		GEAR BOX				
																Øk	Ød	n1	Øk	Ød	n1		Weight (kg)	Type	Weight (kg)	PN 10		PN 16	
																										Type	Weight (kg)	Type	Weight (kg)
Ø 32	62	99	40	87	14	76	37	220	159	125	05	7x4	□9	13	50	100	Ø 19	4	100	Ø 19	4	2.4	92.150	0.6	93.050	93.050	93.050	93.050	
Ø 40	62	99	40	87	14	76	37	220	159	125	05	7x4	□9	13	50	110	Ø 19	4	110	Ø 19	4	2.4	92.150	0.6	93.050	93.050	93.050	93.050	
Ø 50	67	110	43	100	14	76	37	220	159	125	05	7x4	□9	13	50	125	Ø 19	4	125	Ø 19	4	2.5	92-150	0.6	93.050	93.050	93.050	93.050	
Ø 65	80	129	46	123	16	76	37	220	159	125	07	9x4	□11	13	70	145	Ø 19	4	145	Ø 19	4	3.8	92-150	0.6	93.050	93.050	93.050	93.050	
Ø 80	99	134	46	137	16	76	37	220	159	125	07	9x4	□11	15	70	160	Ø 19	8	160	Ø 19	8	4.1	92-150	0.6	93.050	93.050	93.050	93.050	
Ø 100	110	157	52	156	16	76	37	260	159	125	07	9x4	□14	15	70	180	Ø 19	8	180	Ø 19	8	5.3	92-200	0.8	93.050	93.050	93.050	93.050	
Ø 125	123	160	56	187	16	76	37	260	159	125	07	9x4	□14	15	70	210	Ø 19	8	210	Ø 19	8	6.5	92-200	0.8	93.050	93.050	93.050	93.050	
Ø 150	141	187	56	212	16	76	37	350	159	160	07	9x4	□17	18	70	240	Ø 23	8	240	Ø 23	8	8.0	92-300	0.9	93.050	93.050	93.050	93.050	
Ø 200	174	205	60	265	16	76	37	350	159	160	07	9x4	□17	18	70	295	Ø 23	8	295	Ø 23	12	12.5	92-300	0.9	93.050	93.050	93.050	93.050	
Ø 250	208	245	68	319	16	81	47	400	238	200	10	11x4	□22	22	102	350	Ø 23	12	355	Ø 28	12	20.5	92-400	2.6	93.125	93.125	93.125	93.125	
Ø 300	250	282	78	372	16	81	47	400	238	230	10	11x4	□27	27	102	400	Ø 23	12	410	Ø 28	12	30.0	92-400	2.6	93.125	93.125	93.125	93.125	
Ø 350	300	318	78 / 92	436	28	117	-	-	315	335	14	17.5x4	Ø 36	75	140	460	M 20	16	470	M 24	16	52.0	-	-	93.260	93.260	93.260	93.260	
Ø 400	326	362	102	492	28	117	-	-	315	335	14	17.5x4	Ø 36	75	140	515	M 24	16	525	M 27	16	80.0	-	-	93.260	93.260	93.260	93.260	
Ø 450	365	410	114	540	26	120	-	-	315	400	16	22x4	Ø 45	92	165	565	M 24	20	585	M 27	20	102.0	-	-	93.350	93.350	93.350	93.350	
Ø 500	408	435	127	600	26	142	-	-	315	400	16	22x4	Ø 45	92	165	620	M 24	20	650	M 30	20	128.0	-	-	93.450	93.450	93.450	93.450	
Ø 600	482	519	154	700	26	142	-	-	315	400	16	22x4	Ø 60	92	165	725	M 27	20	770	M 33	20	190.0	-	-	93.450	93.450	93.450	93.450	
Ø 700	543	548	165	775	30	142	-	-	414	400	25	18x8	Ø 68	118	254	840	M 27	24	840	M 33	24	235.0	-	-	93.450	93.450	93.450	93.450	
Ø 800	587	587	180 / 190	885	30	157	-	-	414	400	25	22x8	Ø 80	118	254	950	M 30	24	950	M 36	24	362.0	-	-	93.550	93.550	93.550	93.550	
Ø 900	655	661	190 / 203	1010	35	214	-	-	525	600	30	22x8	Ø 80	200	298	1050	M 30	28	1050	M 36	28	513.0	-	-	93.550	93.550	93.600	93.600	
Ø 1000	735	725	216	1110	35	225	-	-	525	600	30	22x8	Ø 100	200	298	1160	M 33	28	1170	M 39	28	660.0	-	-	93.550	93.550	93.650	93.650	

Subject to change without notice  
Please contact us for other sizes.  
Part No: 37 - 4372

REV:Y

16.01.2024